

# PARTS EUROPE<sup>®</sup> *Magazine*

SPRING 2024 ★ VOL. 15, #2



**MOOSE**  
RACING

## DIRT DOMINANCE



**PARTS, ACCESSORIES  
& GEAR FOR OFF-ROAD**

LYON MOTO SHOW



- ★ 2024 MXGP Update
- ★ Fair in France: Lyon Moto Show Report
- ★ Parts Europe Company News



BEFORE



PARTS  
UNLIMITED  
PARTS  
CANADA  
PARTS  
EUROPE

**KTM**

**250 SX** *BIKE BUILD*



**MOOSE**  
RACING®

[MOOSERACING.COM](http://MOOSERACING.COM)



# PARTS EUROPE Magazine

## CONTENTS

Spring 2024 ★ Vol. 15 #2

**Publisher / Editor-in-Chief:** Don Emde · don@emdebooks.com

**Editor:** Dennis Johnson · dennis@emdebooks.com

**Art Director:** Morgan Williams

**Production Manager:** Jen Rose · jen@emdebooks.com

**Copy Editor:** Tracy Emde

**Digital Media Manager:** Jeff Emde

**Contributing Writers:** Kevin Bailey, Beth Dolgner, Don Emde, Dennis Johnson, Laura Keren, Jean Turner

**Contributing Photographers:** Laura Keren, Horst Rösler, Bavo Swijgers

**To our readers:** Editorial space in this publication has been offered on an "advertorial" basis. While we have done our best to check the facts, our readers should be aware that the responsibility for accuracy rests with the manufacturers, vendors or sponsors who provided the information to us. – Publisher.

**Parts Europe Magazine** is published by Don Emde Inc., PO Box 6118, Laguna Niguel, CA 92607 USA. Copyright © 2024 by Don Emde Inc. All rights reserved. No part of this publication may be reproduced or transmitted in any form or by any means, electronic or mechanical, including photocopying, recording, or by any information storage or retrieval system without permission from the publisher. Don Emde Inc. assumes no liability for any material published herein. All statements and information are the responsibility of the authors and sponsors.



**Publishing office:**

PO Box 6118, Laguna Niguel, CA 92607 USA  
Tel: 949-632-4668  
Web: www.partsmagazineonline.com

**Don Emde Inc. Directors:**

President: Don Emde  
Vice President: Jen Rose  
Secretary/Treasurer: Tracy Emde

**NOTE:** The part numbers included in the product editorials within this issue are singular examples of the available part numbers. Click part number links for full listing of available part numbers, fitments, colorways, sizes, etc., or contact your Parts Europe sales rep.

**DEALERS!:** Register today as a Parts Europe dealer for convenient 24/7 online ordering at: [www.partseurope.eu](http://www.partseurope.eu) or call: 0049 (0) 6501 96950

### ON THE COVER

- » 18 **On the Cover:**  
**Dirt Dominance – Moose Racing**  
*Parts, Accessories and Gear for Off-Road*



### DEPARTMENTS

- » 6 **Welcome Letter**  
» 10 **News & Events**  
» 58 **Parts Department**

### PRODUCT SHOWCASE

- » 32 **ICON**  
» 34 **Vertex Pistons**  
» 38 **THOR**  
» 40 **OptiMate**  
» 42 **Rekluse**  
» 43 **Moto Tassinari**  
» 44 **Alpinestars Road**  
» 45 **Alpinestars Sportswear**  
» 46 **Moose Utility Division**  
» 47 **Galfer**  
» 48 **GILLES Tooling**  
» 49 **KSX**  
» 50 **Moto-Master**  
» 51 **Dunlop**  
» 52 **Cometic**  
» 53 **Barkbusters**  
» 54 **Slippery**  
» 55 **Motion Pro**  
» 56 **Nelson-Rigg**  
» 57 **Regina Chain**

# PARTS EUROPE

Parts Europe GmbH  
Conrad-Röntgen-Strasse 2  
54332 Wasserliesch / Trier Germany

**General Info:**

Tel: +49 (0) 6501 / 96 95 0  
Email: [info@partseurope.eu](mailto:info@partseurope.eu)

**Sales info:**

Tel: +49 (0) 6501 / 96 95 2000 Fax: +49 (0) 6501 / 96 95 2650  
Email: [sales@partseurope.eu](mailto:sales@partseurope.eu) Web: [www.partseurope.eu](http://www.partseurope.eu)





**PARTS  
EUROPE**

YOU WANT  
A **JOB** THAT IS  
**PERFECT**  
FOR YOU?

■ Lavinia – Customer Service Specialist since 2018

- **YOU** are all fired up about Powersports and want to work in an international environment?
- **YOU** are a team player who gives full throttle together with your crew at work?

Then join our **TEAM** as:

- **Customer Service Specialist\*** for the German speaking market
- **Customer Service Specialist\*** for the French speaking market
- **Customer Service Specialist\*** for Central and Eastern Europe
- **Product Information Administrator\***
- **After Sales Specialist\***

For more information on these positions and our other current vacancies, please visit [career.partseurope.eu](https://career.partseurope.eu)



\* We value diversity and therefore, we are happy to receive applications – regardless of gender, nationality, ethnic or social background, religion/ideology, disability, age or sexual identity you might have.

**WE  
SUPPORT  
THE SPORT®**

**Parts Europe GmbH**  
Conrad-Röntgen-Straße 2  
54332 Wasserliesch/Trier (Germany)  
Web: [career.partseurope.eu](https://career.partseurope.eu)  
E-mail: [career@partseurope.eu](mailto:career@partseurope.eu)

# In This Issue

BY DON EMDE

Photos by Kinney Jones



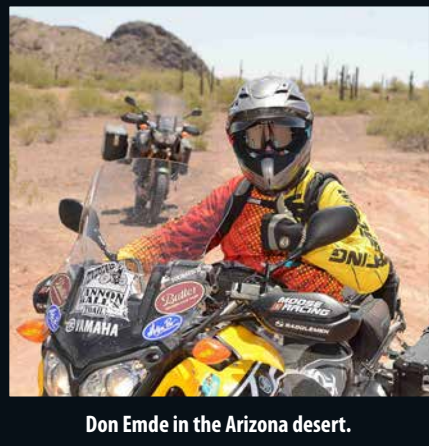
The Cannon Ball Centennial riders are seen on May 4, 2014, between Yuma and Phoenix, Arizona. That is the same road Cannon Ball Baker had ridden that same day exactly 100 years before.

**H**ow time flies. May 3<sup>rd</sup> marked a decade since I began a 3,000+ mile coast-to-coast motorcycle ride from San Diego, California to New York City. I was in a group with a couple dozen friends, and since some sand and dirt roads would be ridden, we rode various models of Adventure Bikes. I was aboard a 1200cc Yamaha Ténéré.

The purpose of the ride was to commemorate and re-create one that a legendary American trans-continentalist named Erwin "Cannon Ball" Baker had undertaken on virtually the same route and on exactly the same days 100 years earlier.

The *Cannon Ball Centennial Ride* actually took about two years to organize and plan. Starting in 2012, I and my friend and *Parts Magazine* contributor Joe Colombero began slowly retracing the route that Cannon Ball had taken in 1914. My primary source of information came from a published diary that Baker kept during his ride, noting what towns he started at each day, and where he stopped each night.

For the next year and a half, Joe and I would periodically explore those dirt trails and paved roads, noting where roads and highways had been changed and where sections of the old road were no longer usable. We eventually connected a rideable (now mostly paved) route to re-trace Baker's original journey from downtown San Diego all the way to Manhattan Island in New York City.



Don Emde in the Arizona desert.

With products and support from Moose Racing and Parts Unlimited, as well as Parts Unlimited vendors such as Saddlemen, Motion Pro, Icon, Continental Tires and others, our adventure began on May 3, 2014, exactly 100 years to the day after Baker had. Then, 11½ days later, exactly like Baker, we arrived on Manhattan to conclude our ride. I later wrote and published a book about the experience titled "Finding Cannon Ball's Trail."

Since my project in 2014, the motorcycle Adventure Bike market around the world has grown impressively. Today it is a significant market category with every major motorcycle manufacturer, even Harley-Davidson, offering one or more Adventure models.

It's great to know that many thousands of motorcycle enthusiasts continue to make memories of their own on Adventure bikes. And Moose Racing, as in 2014, continues to offer notable upgrades of motorcycle parts and accessories. Be sure to check out the story starting on page 18 in this issue of the 2022 KTM 250SX and Yamaha Ténéré 700 custom builds that the team at Moose Racing completed recently to showcase the many great products found in the Parts Europe webshop. ■

**Ride Safe!**



Publisher / Editor-in-Chief

# MAXIMUM DURABILITY

## C49 Steel Rear Sprockets

JT steel rear sprockets are manufactured using only the finest grade of Japanese C49 high carbon steel. Designed to minimise weight and maximise strength, these sprockets are accurately machined to achieve balance and a perfect fit and chain alignment.

## Z3 GS Super Heavy-Duty X-Ring Chain

Engineered for ultimate strength, offering high performance for all modern superbikes. Featuring a corrosion resistant "Gold & Silver" coating on both the inner and outer links.

## OEM Type Rubber Cushioned Front Sprockets

JT rubber cushioned sprockets offer the same quality, design, and OEM proven technology as used by major Japanese motorcycle manufacturers since the early 90s to dampen chain impact.



# YOUR BRAND FOR ALL SEASONS.

ATV | UTV ACCESSORIES



CLICK / SCAN

[PARTSEUROPE.EU](http://PARTSEUROPE.EU) | [MOOSEUTILITIES.COM](http://MOOSEUTILITIES.COM)

**PARTS PARTS PARTS**  
UNLIMITED CANADA EUROPE





27X9.00R14  
205/70R14 M/C

6PR  
MAX LOAD 456 lbs (207kg) AT 22 psi (150 kPa) cold  
RADIAL  
6 1/2" W

TRUCKS & TRAILERS



MOOSE  
UTILITY DIVISION

DO NOT INFLATE BEYOND 32 PSI (220 kPa) WHEN SEATING BEAD.  
SEE OWNER'S MANUAL FOR OPERATING PRESSURE.  
TUBELESS



## 2024 FIM Motocross World Championship

**THOR RIDERS KEEP THEIR EYES ON THE PRIZE** *Bavo Swijgers photos*

**B**y the time you're reading this, the 2024 FIM Motocross World Championship will be five rounds into the season after kicking off with the opening round MXGP of Patagonia-Argentina, and our team of THOR riders will have begun the long battle to the championship.

However, it was at Round 1 in the tourist town of Villa La Angostura in Patagonia, Argentina that 2023 MXGP Champion and THOR athlete **Jorge Prado** started his title defense with a victory.

Fresh from his American Supercross debut, the GASGAS rider proved he will be the man to beat. The Spaniard grabbed

Reigning MXGP World Champ and THOR/GASGAS rider Jorge Prado started the 2024 season off strong with a win at the MXGP of Argentina.



For 20 rounds of racing, a contingent of some of the fastest riders in the world travel across the globe in the chase for points. The tally after each round decides who moves closer to the grand prize – which is still a long way away, across several months, multiple time zones and through a dizzying array of tracks and race circuits.

The 2024 season has welcomed a new player in the game with the Parts Europe-sponsored duo of **Mikkel Haarup** and **Camden McLellan** competing on Triumph Motorcycle's newly developed TF 250-X motocross bike. The two have already put in some great riding in the MX2 class.



In the MX2 class first moto, THOR/GASGAS rider Simon Längenfelder took advantage of a bobble by the race leader in the last lap to jump to the lead, capturing his first moto win of the season at the MXGP of Argentina.

# Precise Standards

American made with the finest materials

## FREEDOM TOURING SEAT for FL Models

The new Freedom Touring seat features a 5 3/4" tall driver support with unique styling.



CLICK / SCAN

Seating area is contoured for maximum comfort and is made narrow up front for better leg clearance. The seat works with our EZ Glide frame-mounted receiver mechanism (part #0822-0163, sold separately) to accept our driver backrest assemblies. It will also work with H-D® OEM frame-mounted backrest mechanism and backrest pad.



**DRAG**  
Specialties  
seats

**PARTS**  
**EUROPE**  
partseurope.eu



Manufactured by  
Drag Specialties in the U.S.A.



Available in Smooth Solar-Reflective leather, Smooth vinyl and Double Diamond stitch with black, silver or red thread vinyl.

## Keeping you wired up for the last 25-years!



PVC jacketed,  
20-gauge wire  
(25 colors)

NEW for 2024!

GXL wire,  
10, 12, 14,  
& 16-gauge  
(8 colors)



NEW for 2024!



Cloth Braided,  
16-gauge  
(15 colors)

NEW for 2024!



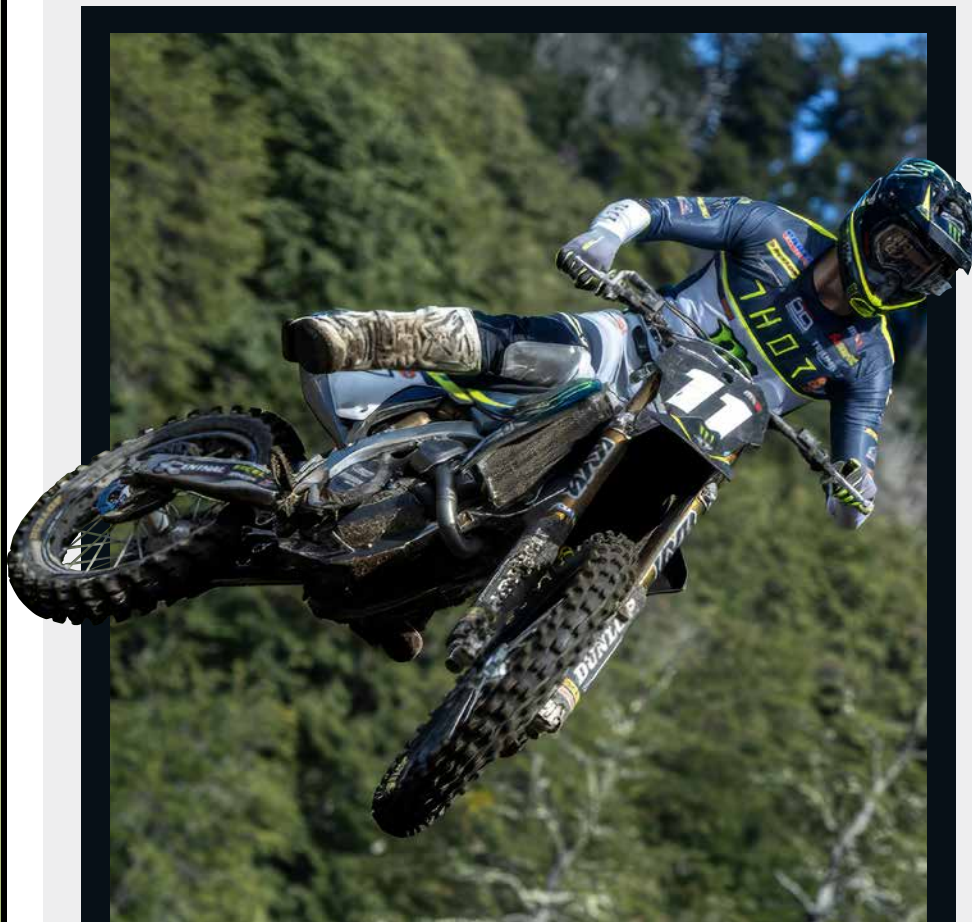
These are the only two names you need to remember when it comes to working on your ride. NAMZ & Badlands have all the electrical supplies and lighting modules you will ever need. Proudly made in the USA, our products are trusted worldwide by the industry's finest. So don't waste your time with anything less than the very best.



Celebrating 25-years in business!

**PARTS  
EUROPE**

NAMZ / BADLANDS PRODUCTS & ACCESSORIES ARE AVAILABLE IN THE USA & EUROPE FROM PARTS UNLIMITED, DRAG SPECIALTIES & PARTS EUROPE.



At Round 1 THOR/Triumph rider Mikkel Haarup made history for the Triumph Factory in their first ever MX podium finish in second place.

the hole-shot in moto 1, but was squeezed out moments later by Frenchman Renaux. After the dust was settled, Prado controlled the moto out front and took the checkered flag for victory.

The deciding second moto would see Tim Gasjer hug a tight first corner to sneak past Prado for the lead. After some jockeying for positions, Prado made no mistakes and ended up with a second-place finish. His 1-2 score would hand him the overall for the GP, as well as the red plate and championship lead.

In the MX2 class first moto, THOR/GASGAS rider **Simon Längenfelder** took advantage of a bobble by the race leader in the last lap to jump to the lead, capturing his first moto win of the season.

The second MX2 race saw an impressive hole-shot by THOR/Triumph's Haarup as the likable Dane led for the first four laps of the intense moto. A three-way battle between Lucas Coenen, Längenfelder and Haarup ensued with the lead and positions swapping every lap. By the end of the race, Haarup made history for the Triumph Factory in their first ever MX podium finish in second place. Fellow THOR/Triumph team-mate McLellan put in a hard-fought race for a Top 10 finish.

Längenfelder ended up with a second place overall and second in the points tally, while Haarup came out of the Argentinian round third overall, and a spot in the Top 10 MX2 World Championship points run.

At Round 2 at the MXGP of Spain, reigning MXGP World Champ Prado dominated his home GP with a fantastic performance. The Spaniard's superb 1-1-1 score enthralled the home crowd in Arroyomolinos near Madrid throughout



Continuing his streak at Round 2, the MXGP of Spain, THOR/GASGAS champ Jorge Prado dominated in front of his home crowd with 1-1-1 score.

the day as they chanted the champs name in an electrifying sphere.

Prado set the fastest qualification time on Saturday and then went on to win the qualification race after a well-executed hole-shot. Sunday was no different for Prado as he fed off the crowd's support to grab another two perfect hole-shots and some blistering opening laps that gapped the rest of the field. He never put a foot wrong and gained the maximum championship points to lead by 10 points over his closest rival.

In the MX2 class, Längenfelder grabbed his first hole-shot of the year with a rocket start as the gate dropped in moto 1. He held onto the lead until the halfway point when he was bounced back to second by Kay De Wolf. He maintained second to the finish line.

The second MX2 moto left Längenfelder with a poor start as he was shut down in the first turn leaving him with some jostling to do in the first lap. He eventually made his way into third where he maintained his position to the checkered flag to secure second overall for the GP, and second place in the points. The THOR/Triumph duo of Haarup and McLellan put in strong performances that kept them both in the Top 10 points roundup.

As of press time, the whole show was headed to Italy for the MXGP of Sardinia. It's a long season, and there is plenty of racing ahead so watch these riders and the rest of the THOR crew as they work to compile points in the hunt for the championship. ■

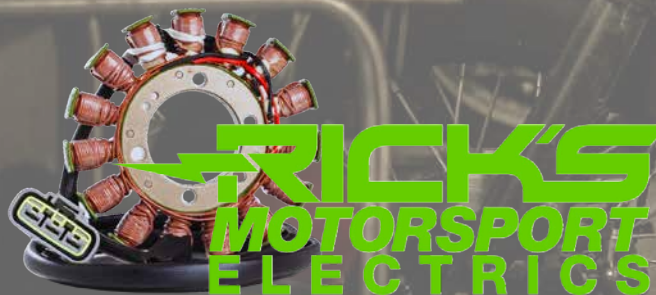
**THE RIGHT PRODUCT  
THE RIGHT FIT  
THE RIGHT PRICE**

Asian & European  
Charging & Starting  
Systems

Lith-ion friendly rec/regs

Hot Shot Vintage Charging Kits

One year replacement warranty



## THOR/GASGAS Nails Double Victory in Spain

RIDERS PREVAIL AT SPANISH MOTOCROSS ELITE CHAMPIONSHIP'S 2ND ROUND

The Red Bull GASGAS Factory Racing team celebrated a triumph at the Spanish Motocross Elite Championship's second round in Lugo, Spain, with THOR riders **Jorge Prado** and **Marc-Antoine Rossi** clinching victories in their respective categories.

Following Simon Längenfelder's recent success in the MX2 category of the Internazionali d'Italia Motocross, the Red Bull GASGAS Factory Racing team continues to shine in the preseason as they marked their seasonal debut at the Lugo track. Prado dominated the MX1 category, while Rossi made a winning debut in MX2.

The event in Lugo, Galicia, saw challenging conditions as the race day was brought forward to Saturday due to adverse weather.



At the Spanish Motocross Elite Championship's second round in Lugo, Spain, THOR/GASGAS rider Jorge Prado dominated the MX1 category, going 2-1 for the overall victory.



MADE IN THE NETHERLANDS

PARTS EUROPE



**STOP**

**&**



**GO!**



**Flame**

OFFROAD  
MX FLOATING BRAKE ROTORS

Flame design offers smoother and more predictable braking action which allows you to brake harder.

**Fusion**

DUAL-RING SPROCKET

Steel outer ring & lightweight aluminium inner ring. Lasts 3x longer than an aluminium sprocket.

[MOTO-MASTER.COM](http://MOTO-MASTER.COM)

Despite the rain making the track particularly demanding, it set the stage for thrilling performances.

In the MX1 category, Prado, riding the MC450F, showcased his prowess by securing pole position in the timed session.

Despite the treacherous track conditions in race one, Prado maintained composure to secure a second-place finish. In race two, despite a fall, Prado surged to the front with fifteen minutes remaining and held onto the lead, securing the overall victory of the day.

"I'm very happy with this victory," Prado said. "We encountered a challenging and selective track due to the mud, but I had good sensations throughout. I made solid starts, and my race pace was strong. We still have a few days to train before heading to Argentina."

In the MX2 category, Rossi, riding the MC250F, impressed with a flawless performance. Second in timed trials, Rossi dominated both heats, securing victory with remarkable leads in each race. "It was my first race with the team, and I'm very pleased with the feeling on the bike,"

Rossi said. "We've worked hard this winter, and it paid off. I enjoyed the track, and I look forward to returning for the World Championship test. I thank the team, and I'm ready for the first World Cup in Argentina." ■



Despite rough conditions at the Lugo track, THOR/GASGAS rider Marc-Antoine Rossi went 1-1 for a remarkable win.



**EXPLORE  
WITHOUT  
LIMITS.  
JUST RIDE.**



## GO BEYOND THE ROAD WITH TRAILMAX RAID.

**Trailmax RAID** is the missing link in the Dunlop adventure tyre line-up. It complements today's capable adventure and dual-sport bikes with tyre performance to match. Outstanding traction off-road and strong wet grip on-road are paired to balanced wear enabling both the occasional greenlaner and the demanding explorer to face the most challenging journeys.



## Simon Längenfelder is Crowned 2024 Internazionali d'Italia MX2 Champ

### THOR/GASGAS RIDER DOMINATES

In an electrifying display of grit and skill, THOR/GASGAS athlete Simon Längenfelder secured the 2024 Internazionali d'Italia MX2 Championship title. Längenfelder's hard fought performance at the Mantova track secured his overall in trying circumstances.

Facing challenging conditions right from the start, including a treacherously muddy track, Längenfelder showcased his mastery of the circuit by securing pole position during the timed qualifying session.

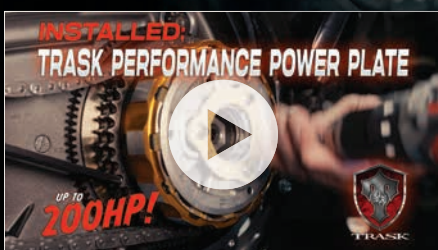
In a remarkable display of resilience, Längenfelder stormed back from adversity, carving through the competition with record-setting lap times. Despite encountering contact at the start of the second

race, Längenfelder's sheer speed and skill propelled him to a commendable fourth-place finish, securing him the overall victory in the championship. ■

THOR/GASGAS  
Simon Längenfelder  
won the the 2024  
Internazionali d'Italia  
MX2 Championship  
title after hard fought  
performance at the  
Mantova track in Italy.



## PERFORMANCE MINDED • PERFORMANCE DRIVEN



CLICK / SCAN







THOR/Monster Energy Triumph Racing's Mikkel Haarup went 2-2 at the opening round of the Spanish Motocross Championship, helping to put the OEM's new TF 250-X bike on the map in its racing debut.



**RIDE LIKE  
A  
CHAMPION**  
JUST RIDE.

**DESIGNED TO RAISE THE GAME.**

The **Geomax MX34** is designed to raise the game. Increased rear grip gives you greatly improved acceleration. Controlled casing flex delivers improved feel and feedback. Plus enjoy enhanced cornering and more consistent performance over the life of the tyre. Ride like a champion every time you step on the track.



**GEOMAX  
MX34**



dunlop.eu

Follow us...



/DunlopMoto



@DunlopMoto



@DunlopMoto

# SHOWING OFF

**MOOSE**  
 RACING®

## TWO BIKE BUILDS, LOTS OF POSSIBILITIES



CLICK / SCAN



There's a whole lot of Moose Racing packed into this KTM 250 SX. From front to back and top to bottom, Moose offers a big range of products to help your customers transform their bikes.

**T**here is no better way to show off parts than by putting them on a motorcycle. Moose Racing built two very different custom off-road bikes to give dealers and riders alike an idea of what's possible using the company's extensive offering of parts.

The team at Moose Racing chose to do both a motocross and an Adventure build, since the company serves both segments of off-road riding. The result is a 2022 KTM 250 SX that is ready to tackle the track and a 2023 Yamaha Ténéré 700 that is just waiting for an adventure.

### TWO-STROKE TITAN

By the time Moose Racing was done building the 2022 KTM 250 SX, it looked nothing like the stock version. Thanks to a long list of Moose Racing parts, as well as components from partners, the 2-stroke was transformed into a show-worthy bike.


When Moose Racing's Austin Weaver was asked to tackle the build, he designed something he'd like to own him-

self. One look at the KTM, and it's easy to see why. With a fierce black and orange holographic color scheme and more than 50 aftermarket parts, the bike both looks, and performs, like a beast. Since its debut, the bike has been generating excitement for the way it demonstrates how the right components can result in a total transformation.


Among the many Moose Racing parts on the KTM are some of the newest options from the brand, including titanium pegs and plenty of carbon fiber details.

It's impossible to miss the sleek carbon fiber fork guards (p/n 0412-0163) up front. These guards simply snap over the forks, so not only do they look good, but they are also incredibly easy to install.

Look down a little further on the bike, and you'll see the carbon disc cover (p/n 0520-3291) standing guard over the front rotor. Moose Racing has extensively tested these disc covers in racing, putting them through the most extreme conditions to ensure they provide a high level of protection for the rotor. There are five layers of



That Moose sprocket and hub bring some KTM orange to the rear wheel. FMF's Factory Fatty pipe is wrapped in protection by the Moose pipe guard.



Moose Racing's extensive portfolio also includes a 520 drive chain, as well as the Pro Chain guide and swingarm guide for added protection. Moose's RFX rotors front and rear offer great braking bite.

carbon fiber and aramid material, and the four-point aluminum mounting plate both adds strength and eliminates flex around the rotor.

The carbon fiber skid plate (p/n 0506-1346) is also designed to be extremely durable. By using an antiballistic composite material, this skid plate has a longer fatigue life and higher tensile strength compared to an aluminum version. The materials allow the plate to flex, so it will bounce back into place after hard hits. The high front keeps mud from building up on the engine, and the skid plate extends to protect the side engine cases and water pump, too.

The titanium foot pegs (p/n 1620-2372) on the KTM are as durable as they are light. Each set weighs in at less than 300 grams, making these an ideal choice for racers looking for every possible power advantage. The cleated platform keeps feet firmly in place, and the beveled design prevents the foot pegs from getting snagged in deep ruts.

These new foot pegs look great paired with the Moose Racing shift lever (p/n 1602-1137), which is anodized

black with an orange tip to match that classic KTM orange. The forged shift lever arm is made from aircraft-grade 6061 aluminum, and the whole assembly has UV protection to preserve the color.

The race-ready Flex Series handlebar (p/n 0601-1758) in black is also made of aluminum, so it is both lighter and stronger than a standard handlebar. As the name states, it is also designed to flex: by eliminating a crossbar, the bar can flex naturally to keep a rider's hands and arms more comfortable.

And while the handlebar keeps hands from getting tired, the Moose Racing Contour 2 handguards (p/n 0635-1563) are a barrier between the rider's hands and any hazards encountered on the track or trail. The shaping provides the right amount of coverage without looking bulky, and the design also allows the handguards to flex in an impact to prevent breakage.

The orange Lock-On grips (p/n 0630-2538) stand out in stark contrast to the black handlebar and handguards. The lock-on system makes the grips incredibly easy to

**MOOSE**  
 RACING®


CLICK / SCAN

That custom Ténéré 700 graphic kit showcases both Yamaha and Moose Racing. The bike highlights the Moose portfolio with options like the carbon fiber fork guards and Voyager handguards.

install, requiring just an Allen-head mounting bracket and a few seconds. Once installed, the Lock-On grips will stay securely in place, with no slipping. Each set of grips includes the necessary throttle tube cams to fit both 2-stroke and 4-stroke applications, making these a perfect choice for the 2-stroke KTM 250 SX.

The SX-1 wheels (p/n 0203-0704) are among the most notable upgrades on the KTM. The polished stainless steel spokes are eye-catching on their own, but the black wheels combined with an orange hub make the setup even more of a showstopper. For this build, the SX-1 wheels have been paired with a set of Michelin StarCross 6 Mid-Soft tires.

## ADVENTURE MADE SIMPLE

While the KTM build was loaded with aftermarket parts, the Yamaha Ténéré 700 build took more of a minimalist approach. Builder Austin Weaver chose to design a stripped-down dual-sport bike that could function well

off-road, proving that Adventure riding does not have to be complicated or costly.

The Ténéré 700 was a perfect platform for this style of build, since it is already a narrow bike that rolls off the line without some of the accessories and tech found on other bikes in the segment. It's a straightforward, lightweight bike ideal for easy Adventure and dual-sport riding.

There was no question that Moose Racing's new ADV rear rack system (p/n 1510-1186) would be mounted to the Ténéré. The rack is designed so it can be customized for every ride, providing multiple tie-down locations and slots for bag straps or bungee cords. In addition to the many different mounting configurations available, Moose Racing also offers universal attachment plates to further increase the possibilities of where and how it can be used. The rack makes it easy to load up and go for everything from a short excursion to a long-haul adventure.

The rear rack is made to be every bit as tough as the terrain an Adventure bike will encounter. It is laser-cut

Moose Racing's Qualifier foot pegs and Flex Series handlebars offer riders great control and comfort.



Adding to the Ténéré 700's Adventure credentials, Moose Racing's new ADV rear rack system provides plenty of storage options for road trips.

from 12-gauge, grade-50 steel, which is topped with a matte black powder coat. Each rack arrives with all the mounting hardware necessary, making it easy to install.

Sometimes, swapping out a small part can make a big difference. That was certainly the case with the foot pegs on the Ténéré 700. The stock ones were replaced with a set of Moose Racing Qualifier foot pegs (p/n 1620-1732), which are designed for ultimate grip and comfort. The stainless steel foot plate is extra wide and has a pattern meant to keep boots firmly in place. The plate can be replaced, too, making future maintenance easy.

The Qualifier foot pegs pair the stainless steel foot plate with a CNC-machined aluminum alloy housing for the right blend of strength and light weight. That foot plate is inside a rubber damper, too, which helps absorb shock to keep feet feeling comfortable, even during long days of riding.

Like the KTM build, the Ténéré benefits from carbon fiber fork guards (p/n 0412-0163) and Flex Series handlebars (p/n 0601-1755). The 11/8-inch handlebar fits incredibly

well into the geometry of the Ténéré, offering a comfortable stance for the rider as well as a great look.

The handlebar pairs nicely with a set of Moose Racing's Voyager handguards (p/n 0635-2119). When the bike made its debut at the Louisville NVP in the U.S., the handguards got a lot of praise for the way they provide an important barrier while still freeing up plenty of space on the handlebar.

This ergonomic design is achieved in part by mounting the handguards directly to the end of the handlebar with a model-specific end cap. The aluminum frame is compact, which further creates more room for a rider's hands.

Adventure riding can mean changing weather, which is why the Voyager handguards have vents that can be opened or closed to adjust airflow during riding.

To top everything off on the Ténéré build, a custom graphics kit gives it just the right finishing touch and ensures it cannot be overlooked when it is on display. ■

**TOW AWAY  
ZONE**  
ILLEGALLY PARKED AND  
UNAUTHORIZED VEHICLES WILL  
BE TOWED AT VEHICLE  
OWNER'S EXPENSE  
24 HRS A DAY - 7 DAYS A WEEK  
M<sup>o</sup>GANN & CHESTER  
TOWING  
(412) 381-9400



**IMPROVE YOUR RIDE WITH  
MORE COMFORT AND CONTROL.**

**THE INSTANT**



**DRAG**  
Specialties

**PARTS**  
EUROPE



2018-24 HD Low Rider

# T UPGRADE!

**#1 IN GEL SEATING SINCE 1987.**

## Farewell, and Thanks for Everything

### TWO LONGTIME PARTS EUROPE EMPLOYEES RETIRE

**T**wo long-standing members of the Parts Europe family took their well-deserved retirement at the beginning of the year:

**Dietmar Wolff** has been an integral part of the Shipping team since 2011. In his position as Shipping Officer, he has been through both small and large changes in the Parts Europe company over the last 13 years. His perspective on the expansions, changes, and modernizations in the company's warehouse in recent years is certainly one of the most interesting, and even culminated two years ago with the move to a larger, more modern, and completely newly built shipping office.

Dietmar has been an enthusiastic two-wheel rider since he was a teenager, starting out on a small MoFa at the age of 16. After 30 years of absence from motorcycles, in 2011 he began passion-

ately riding his BMW 1200 RT again in his spare time, and now organizes motorcycle tours for his colleagues and other groups.

He not only accompanies these tours for pleasure, but has also made it his goal to make motorcycling safer. Dietmar is a volunteer first-aid worker with an organization called Deutsche Verkehrswacht. His motorcycle is equipped as a first-aid station to help in the event of accidents or other problems. He and his team of volunteers also accompany large motorcycle events with up to 1000 motorcycles and support them when help is needed.

The Parts Europe team says it will miss Dietmar very much, adding that he is a great person and a helpful character, whether at work or in his spare time. Parts Europe wishes Dietmar the best, thanks him and wishes him the best in his retirement.

**Jan Verhage** retired on 1st January 2024. Starting as Sales Representative for the Belgium area of Flanders in June 2013, he celebrated his 10-year anniversary at Parts Europe in the summer of 2023. Parts Europe says that all of his colleagues who have worked with him over the years value him as a loyal, straight and serious person who has a friendly smile for everyone and is ready to help and support with knowledge and manpower. Together with some other Parts Europe REPs "from the first hour", Jan is a member of the Parts Europe internally called "The Dream Team".

In the early days it was "The Dream Team" – consisting of Dimitris Chatziarapoglou (REP GR), Jens Kloos (REP GER), Martin Arumäe (REP EE, LT, LV) and Jan – that always arrived to a show first, and worked diligently to get all product presentations ready on time before the show opening. The team also closed the doors after the show was over, and all was packed and in the truck. The group of reps set a great example for all of their colleagues, showcasing great attitude, passion for the job and teamwork.

Cornelis Dijkman, Parts Europe Country Sales Manager in Belgium, Netherlands, and Luxembourg, worked very closely with Jan for many years, and offered up these great words about his colleague.

"We are going to miss Jan with his never-ending collegiality," Dijkman said. "I know for sure that whoever will replace Jan, this person has big shoes to fill. In the beginning he/she will be compared with Jan, but that is an unfair comparison because there is no one like Jan."

The team at Parts Europe would like to wish Jan and Dietmar all the best in their retirements. ■

Dietmar Wolff at his 10 years anniversary in June 2021.







Jan Verhage has been with Parts Europe since 2013.



The Dream Team, from left: Martin Arumäe (Sales REP EE, LT, LV), Jan Verhage (Sales REP NL), Dimitris Chatziarapoglou (Sales REP GR), and Jens Kloos (Sales REP GER).

## Salon du 2 Roues de Lyon

### PARTS EUROPE GOES BIG AT FRANCE'S MASSIVE MOTO FAIR

For more than three decades, the Salon du 2 Roues has made its mark on the world of motorized two-wheelers. The fair returned in 2024 for its 31st edition from 7 to 10 March on over 150,000 m<sup>2</sup> in the heart of the Eurexpo convention center and exhibition hall in Lyon, France.



The Parts Europe stand in the central hall was 135 m<sup>2</sup> in size and well located on the main path just after the entrance to the fair. On display were the latest products from well-known house brands, Drag Specialties, ICON and THOR.

The Parts Europe team debuted the collection of John Doe, which marks the start of

the collaboration with the popular German manufacturer of riding gear, including protective jackets, Kevlar-lined jeans and stylish footwear. With a reputation for crafting high-quality motorcycle apparel that seamlessly blends fashion with functionality, John Doe shows with each product the brand's commitment to providing riders with both superior protection and timeless style. The collection made a lasting impression on attendees at the Parts Europe booth. See the John Doe products here in the Parts Europe webshop.

Another highlight of the show that was popular with motorcycle dealers and workshop owners was the Performance Area at the Parts Europe booth. Here, the company's tech support experts not only explained the benefits of the exhibited brake discs, intake manifold, and various other performance parts, but also demonstrated and explained on the spot the different diagnostic tools in the Parts Europe portfolio.

The lineup included tools exclusively for Harley-Davidson motorcycles, including those from Don Performance. This company's products help create noticeably improved performance with its mapping for Harley models. The individually tunable mapping combines optimal power with optimized engine operation. Don Performance guarantees more riding enjoyment, whether with original hardware, modified hardware, altered air filters, or exhaust systems.

Alternatively for Harley-Davidson, the Parts Europe team showcased TechnoResearch's diagnostic tools, which are tailored to the changing requirements of modern vehicles. They enable technicians to diagnose, repair and optimize vehicle performance with accuracy and efficiency.

One of Parts Europe's solutions for various motorcycle and ATV brands are the products from Texa that were on display. As one of the leading companies in the development, industrialization, and manufacture of multi-brand

diagnostic devices, the German manufacturer has been part of the Parts Europe portfolio for years.

To round the workshop area up at the Parts Europe booth is a device added last year to the company's diagnostic device selection that is usable across multiple brands and vehicles: The MOTO Pro from CanDo International. The scan tool covers all major manufacturers from Europe, Asia, and North America. It also works on personal watercraft.



### PARTS AND APPAREL ON DISPLAY

Premier Helmets provided visitors with an overview of the company's full range, showcasing the intricacies of their innovative designs and advanced technologies. From sleek full-face helmets to stylish open face helmets, each product reflected Premier Helmets' commitment to excellence in craftsmanship and rider protection.

Working closely with Parts Europe, Akrapovič provided an impressive display. No matter if titanium or carbon fiber designs, their exhausts incorporate the perfect blend of form, function, and performance. The two-person team from Slovenia brought a BMW R 1300 GS and a Honda Hornet 750 (both 2023 models) to Lyon and impressed the numerous visitors with the products on display.

In addition, Gilles Tooling used its presence on the stand to engage with other exhibitors, dealers and enthusiasts. For decades, the Luxembourg-based company has been a world-renowned manufacturer of adjustable rearsets through to premium brake levers. Each product is designed to improve both the aesthetics and performance of motorcycles. See here the parts that Gilles Tooling showed on the BMW R 1300 GS at the Salon du 2 Roues!

BS Battery also took the opportunity to inform visitors about their products at the Parts Europe stand. As part of the trade fair, a competition was also held to win a Power Box PB/02 - signed by none other than 2021 MotoGP World Champion Fabio Quartararo.

The Parts Europe show bikes also caught the attention of visitors young and old. The company offered a big "Thank You" to all the partner vendors who supported the building of the show bikes.

Harley-Davidson Clermont-Ferrand showed their Club Style build of the Harley-Davidson Low Rider ST Fast Johnnie. Suna Speed Shop from Bayonne equipped the Fat Bob™ 2020 with parts from the Parts Europe portfolio. And, Aumirot Motos - situated just a stones throw away from Lyon - showed what they



*continued on page 28...*

**Romain Febvre**

Kawasaki Racing  
Team MXGP



CLICK / SCAN



# Factory Approved

*Ti-6 Titanium System*

Also available: **T-6 Stainless System**, **T-6 Slip-On** (silencer only), or the **Ti-6 Pro** made for professional racers competing in AMA SX or MX to ensure they pass AMA/FIM sound regulations.

**2024 performance exhaust systems are now in stock. Available for most models.**

**Ti-6 Exhaust Features Include:**

- ✓ Huge performance gains while meeting AMA amateur noise requirements
- ✓ Perfect for any closed-course or off-road racing
- ✓ Titanium construction throughout head pipe, mid pipe and canister
- ✓ Carbon fiber end-cap construction
- ✓ Equipped with RC-4 Resonance Chamber to reduce noise output
- ✓ Machined aluminum muffler bracket for increased strength and durability
- ✓ Removable USFS-approved spark arrestor

**Exhaust / Engines / Suspension / Accessories**

Gas Gas • Honda • Husqvarna • Kawasaki • KTM • Suzuki • Yamaha

PRO CIRCUIT OFFICIAL DISTRIBUTORS  
**PARTS EUROPE** **PARTS CANADA** **PARTS UNLIMITED**

FOLLOW US



ProCircuit78



ProCircuitInc

**PRO CIRCUIT**™

951.738.8050 | ProCircuit.com

...continued from page 26



The Parts Europe team was on hand at the 31st edition of the Salon du 2 Roues in Lyon, France. Front and center at the company booth were well-known house brands Drag Specialties, ICON and THOR, as well as products from a host of other vendors. Horst Rösler photo

can do with the 2024 Honda CRF250 and the 2024 Honda XL 750 Transalp. Find more details about the bikes here in our webshop and build your own show bike!

## THE ELECTRIC UNIVERSE – EMOBILITY FOR ALL

Parts Europe also highlighted what the company has to offer for the eMobility market. The INTENSE Tazer MX Pro, available in Carbon/white, Alloy/grey, or in the new Alloy/black+yellow version, builds on INTENSE's legacy of innovation and performance and redefines what's possible on the trails. Powered by Shimano's EP8 motor system, the Tazer MX Pro delivers exhilarating power and high torque, effortlessly propelling the rider up the steepest climbs. The Öhlins suspension system provides excellent damping and control on uneven terrain.

The INTENSE Tazer MX Pro bikes are equipped with high-quality performance parts and can be customized according to preference. Parts Europe can help your customers build the E-Bike of their dreams by offering a wide range of bicycle products from various reputable manufacturers in the scene.



In Lyon, more than 90 registered test riders signed up to test ride some of the INTENSE bikes. The show featured an area dedicated specifically to the eMobility sector that covered 20,000 square meters. In addition to the Parts Europe / INTENSE booth and other exhibitors, it also featured artificially created test tracks for the various e-vehicles on display.

## THE LYON KUSTOM FACTORY

One other highlight of the Salon du 2 Roues was the 7.000 m<sup>2</sup> of exhibition space entirely dedicated to custom culture in all its forms. The entire culture of the 1950s, motorcycle customization, rock'n'roll, tattoos and rockabilly art united, attracting the attention of many generations of showgoers. The space offered a unique atmosphere for an unforgettable experience.

The weekend also featured the National Factory Bikeshow, a brand-new European competition at the Salon du 2 Roues, overseen by the Legends of Custom! Parts Europe and Drag Specialties rewarded the winner of the CLUBSTYLE contest with a voucher for a Don Performance tuning license from the company's portfolio. ■

# Parts Europe Teams Up with Triumph

## RIDERS TO CONTEST FIM MX2 MOTOCROSS WORLD CHAMPIONSHIP

In 2024 Triumph Racing entered a new era of competition with its entry in the fiercely competitive FIM MX2 Motocross World Championship.

Parts Europe is proud to partner up with the talented duo of **Mikkel Haarup** and **Camden McLellan**, who will compete aboard the newly developed Triumph TF 250-X

motocross machinery in the Monster Energy-backed team, which is led by the ultra-experienced Thierry Chizat-Suzzoni and Vincent Bereni. The riders will be decked out in THOR racewear.

The team's credentials as race and championship winners have been pivotal in the development project for Triumph



THOR rider Mikkel Haarup is charging into the 2024 FIM MX2 Motocross World Championship aboard the newly developed Triumph TF 250-X motocross bike. Parts Europe is a proud partner with Haarup and his teammate Camden McLellan.

as it enters this new segment, with former Grand Prix winner and MXGP vice-champion Clément Desalle as test rider throughout the past few years.

The Monster Energy Triumph Racing Team's Haarup and McLellan are looking forward to a strong foundation season, as they put their new Triumph machines to the ultimate test in the toughest motocross competition around the globe,

bringing vital feedback to Triumph's R&D department for future development.

After two successful pre-season races in Spain and France, Haarup and McLellan jumped into the MX2 world championship at the Round 1 season launch in Argentina. Haarup earned the Triumph Factory its first ever MX podium with a second-place finish. He came out of the round at third place overall. ■

Parts Europe has partnered up with riders Camden McLellan (left) and Mikkel Haarup (right) as they compete about Triumph's newly developed TF 250-X motocross bike. The two THOR athletes are competing in the 2024 FIM MX2 Motocross World Championship.



STREAMING VIDEO PLACEMENT

Forget the rest

# Only fit the original & best

- ✓ A global leader
- ✓ The highest OE quality
- ✓ A winning team
- ✓ The widest range: YTX<sup>®</sup>, GYZ<sup>®</sup> & YTZ<sup>®</sup> batteries
- ✓ Japanese OE manufacturer over 100 years



 **YUASA**

by  **GS YUASA**

Website [www.yuasa.com](http://www.yuasa.com)  
Battery lookup [www.fit.yuasa.com](http://www.fit.yuasa.com)

 **JAPANESE**  
OE MANUFACTURER  
FOR OVER 100 YEARS

Original equipment supplier to the world's top motorcycle & powersport manufacturers, including:  
Aprilia | BMW | Ducati | Harley-Davidson | Honda | Indian Motorcycle | Kawasaki | KTM | Moto Guzzi | MV Augusta  
Piaggio | Suzuki | Triumph | Vespa | Yamaha | Artic Cat | Bombardier Sea-Doo & Ski-Doo | BRP Rotax | Polaris



# Gear Up

## Spring 2024 Jackets and Helmets



ICON's textile Overlord3 jacket



ICON's Overlord3 gloves

**T**he spring riding season is here, which means it is time to gear up and get on the road. ICON is helping riders get outfitted with its Spring 2024 collection of helmets and gear.

The Overlord jacket has been an ICON staple for years now, and every so often, it gets an update in style. This year, not only did the classic jacket get an update, but it also has more options than ever. The Overlord3 jacket is available in its typical textile chassis, but there are also versions in leather and mesh, with some graphics choices thrown in, as well.

Every iteration of the Overlord3 jacket fits the same, with a more fitted cut than ICON's Hooligan jacket family. Each Overlord3 jacket also includes a removable insulated vest liner.

The textile Overlord3 jacket (p/n 2820-6688) has a durable 1680D and 300D polyester chassis with reinforced panels, plenty of adjustable ventilation and D3O armor in the back, elbows and shoulders. The Overlord3 Magnacross jacket is an option with racing-inspired graphics.



The Airflite helmet in the MIPS Snack Attack graphic

For those hot days, the Overlord3 Mesh jacket (p/n 2820-6732) has all the perks of the classic Overlord3, but it also includes Iron Weave mesh panels on the front, back and sleeves. This durable mesh lets in plenty of cooling airflow while still providing an ample barrier of defense. Riders can opt for a solid-color jacket or a graphics option, including Camo or the psychedelic skull design of the Mesh Munchies.

Riders who prefer some leather will want the Overlord3 leather jacket (p/n 2810-4120). This jacket combines ICON's Trackspec leather with 300D polyester for a unique look. The jacket has outstanding ventilation thanks to laser-perforated areas on the front, back and arms of the jacket.

ICON also has Overlord3 choices for women, including the textile, leather and mesh versions. The Women's Overlord3 Noble jacket (p/n 2822-1606) is the classic textile platform topped with a bold all-over black-and-white graphic.

All of these Overlord3 options pair well with ICON's Overlord3 gloves (p/n 3301-4792). The Cool Mesh material enables plenty of airflow, while the Ax Laredo synthetic palm offers the look and toughness of leather. Carbon fiber knuckles add an extra barrier against the asphalt.

Among the latest ICON helmets are new graphics for the Airflite and Airframe Pro. The latest additions for the Airflite helmet (p/n 0101-16929) include the MIPS Blegh and the MIPS Snack Attack.

Both helmets have the MIPS Brain Protection System to reduce rotational motion in the event of an impact. The MIPS Blegh graphic features a diabolical concert, while the MIPS Snack Attack is best described as a pastel nightmare.

The Airframe Pro helmet (p/n 0101-16655) is now available in the new Tejas Libre and Carbon 4Tress graphics. The handcrafted composite carbon fiber shell of the Carbon 4Tress is left unadorned so it is on full display. ■





# TEON



*iteon*

## AIRFLITE MIPS BLEGH

LET THE DEVIL ON YOUR SHOULDER GUIDE YOUR RIDE...



ECE R22.06



CLICK / SCAN

**PARTS  
EUROPE**



# Rebuild and Repair

## All-in-One Top End Kits

**W**hen it comes time to crack open the top end for an engine refresh, your customers want to use a trusted brand, and the exact kit they need not only for their motorcycle, but for their intended use of it.

Vertex Pistons offers a generous variety of 2-stroke and 4-stroke Top End Piston Kits for assorted needs from OEM replica kits to ProRace and High Compression

GasGas, Husqvarna, Kawasaki, KTM, and Yamaha in sizes from 65cc up to 125cc.

On the 4-stroke side, Vertex has introduced the GP Racer's Choice version of its Top End Piston Kits (p/n 0910-5132) for 2024. Much like the Race Evolution category, the GP Racer's Choice has been crafted and tested on the race-track, and aims to deliver a premium high-compression piston option for motocross and enduro racers.



Vertex has 4-stroke Top End Piston Kits in a range of fits and styles. All include everything needed for a repair or rebuild.



Tackling a top-end rebuild is easy with Vertex Piston's 2-stroke Top End Piston Kits. Everything is included to get the job done right.

options. You can help your customer find the right all-inclusive kit to rebuild/repair their motocross, off-road, dual-sport and ATV engines that includes everything they need in one package, and helps them save some money in the process. For 2024 the Italian company expands its offerings with fitment for new models in the popular GP Racer's Choice and Race Evolution versions of their Top End Piston Kits.

Refined and tested by its supported race teams, the Vertex Race Evolution Top End Piston Kits are designed for and by motocross racers. These 2-stroke kits (p/n 0910-5167) include a gravity-cast aluminum alloy piston featuring a new dedicated racing profile, a reduced top land for the first ring, a 0.8mm special compression ring in PVD, top-end gasket, pin and circlips. The MoS2 (Molybdenum Disulfide) lubricant coating on the piston skirt features a pocketed pattern for improved lubrication and a smooth piston/cylinder surface.

The Vertex Race Evolution (or "Race Evo") Top End Piston Kits are now available for new models from Fantic,

The GP Racer's Choice features hot-forged pistons made from high-resistance VP-310 alloy featuring a distinct T-Bridge machined design inspired by F1 racing. The specialized head shape is designed to maximize the compression ratio and performance without compromising durability. The GP Racer's Choice Top End Piston Kit comes with a nitrated steel ring set, DLC-coated wrist pin, circlips, top-end gasket and cam chain.

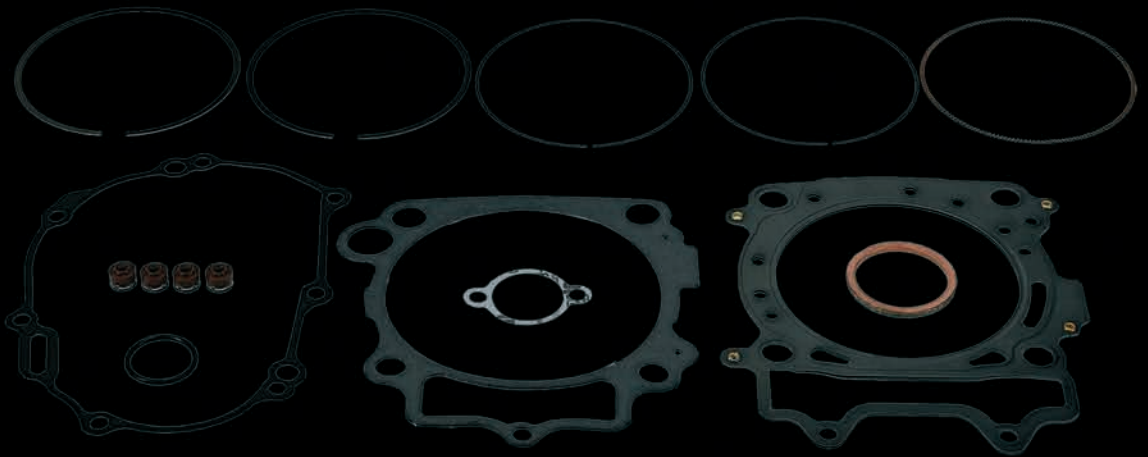
The GP Racer's Choice Kits are available for new models from GasGas, Husqvarna, KTM, Kawasaki and Yamaha, from 250cc to 450cc. Vertex aims to ease the repair process by creating kits with everything needed – piston, rings, wrist pin, circlips, and top-end gaskets.

Vertex pistons, both forged and cast, are manufactured in Italy. Vertex gaskets are made in the USA and are also available in a wide selection of kits as well as individual units. Also look for full engine rebuild kits, oil seal kits and water pump components from Vertex. ■

**PARTS  
EUROPE**

# WINNER DNA

VTK Piston Top-End Kits



**VERTEX**  
PISTON & POWER

**ARROWHEAD**  
Performance

**CYLINDER  
WORKS**  
RESEARCH • R&D • RACE

**HOT RODS**  
RACING • R&D • RACE

**ALL BALLS**  
Racing

**Pivot Works**  
RACING • R&D • RACE

**HOT CAMS**  
DRIVEN THE POWER WITHIN

**COMPLETE  
ENGINE  
REBUILD KIT**

TERRAIN GEAR

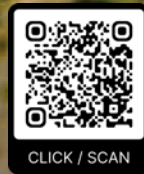
# TAKE ON THE ELEMENTS

Our Terrain Gear collection is as rugged as it is versatile. Each product is purpose built to take on the elements while providing performance and solid durability. Whether you're carving virgin single track, or taking to the open desert, our Terrain Gear is up to the task.



Terrain Off-Road Collection.  
Built For The Elements.  
Scan the code to learn more.

Distributed By:  
**PARTS  
EUROPE**



**THOR**  
BUILT FOR THIS.



# Head to Toe

## Versatile Gear for Off-Road

**E**scaping the day-to-day grind and getting the adrenaline flowing on an open trail is an unbeatable feeling, but swinging a leg over a bike or ATV or getting behind the wheel of a UTV comes with inherent risk. It's part of the price to play, but can quickly be mitigated with proper gear. THOR has been in the riding wear and protection game a long time, and its 2024 lineup has customers covered from head to toe.

Within a catalog of many different categories tailored for different segments are a group of products sure to fit the needs of almost any ATV or UTV customer, including the Sector line, Regiment goggles, Sentinel guards and Blitz boots.

What is the first piece of safety equipment you were taught to always wear as a kid? That's right, a helmet. For 2024, THOR has built upon its solid foundation of helmets with a new generation that delivers high-end quality and style without the high-end price tag.

Sector 2 helmets (p/n 0110-8156) from THOR are designed and built to house a robust package of features with modern styling and affordable functionality. A three-layer design is used for Sector 2 helmets, including a durable outer shell, an EPS liner and a removable and washable inner liner.

THOR designers shaped the rear shell of Sector 2 helmets to allow for easy and secure repositioning of goggle straps

and finished it off with a fully adjustable and vented visor. Sector 2 helmets from THOR are available in nine different style options featuring everything from simplistic to sleek graphics and colors to complement THOR's vast selection of race and riding wear.

A natural match for the Sector 2 helmet, THOR's Regiment goggle (p/n 2601-2800) delivers race-level quality with a more budget friendly price tag. Regiment goggles are designed with a maximized field of view design, triple layer face foam and an injection molded frame, all cues taken from THOR's top-of-the-line goggle. This premium quality is available in a wide selection of colors and styles that fit the bill.

The Sector line expands beyond helmets with jerseys (p/n 2910-6432), pants (p/n 2901-9306) and gloves (p/n



SECTOR 2 HELMET



SECTOR JERSEYS, PANTS AND GLOVES

3330-7269). Each of the Sector gear sets follow the same ideals as Sector 2 helmets, to deliver high quality, comfort and functionality without the premium cost. Sector gear is the perfect balance of simplicity and modern racewear technology wrapped up in a range of colorways and styles.

In the earlier days of clunky gear, protection and comfort had an inverse relationship. Fast forward to 2024 and THOR has given a new meaning to what a chest protectors can be with its Sentinel Pro (p/n 2701-1303). This chest protector offers riders next-generation chest and back protection in the form of lightweight, purpose-built performance.

The Sentinel Pro is designed to provide robust protection. Comfort is not a tradeoff, either, with molded panels, strategically placed impact foam, adjustable and removable shoulders, a ratchet-style waist closure, and abundant ventilation ports.

Claiming THOR has riders covered from head to toe isn't just an expression. Case in point, THOR's Blitz XR Trail boots (p/n 3410-3130) join the 2024 lineup with a purpose-designed boot for the off-road, trail blazing type. Great for virtually any type of off-road ride, Blitz XR Trail boots' soles are custom molded and feature lugged outsoles for a noticeably rugged and durable boot that's perfect to tackle any trail's unknowing conditions.

Construction through the rest of Blitz XR Trail boots translates to long lasting durability thanks to injection molded components, positive lock buckles, synthetic calf overlays and integrated shift protection.



**SENTINEL PRO GUARD**

This modern blend of comfort and protection also extends into knee protection from THOR. Sentinel knee guards (p/n 2704-0679) provide a blend of fit and function for all levels of riders and racers, combining sleek mobility with functional coverage that's been tested and proven by THOR athletes.

Beneath the low-profile design of Sentinel knee guards is a lightweight foam liner, ventilation openings and a flush-mounted hinge that allows for the critical, natural knee movement needed when riding. These knee guards stay secure for the whole ride with an integrated calf sleeve and adjustable closures, allowing for a precise fit. Available in white and black/grey colorways, Sentinel knee guards are bound to be an instant favorite for your customers.



**SENTINEL KNEE GUARD**

**BLITZ XR TRAIL BOOTS**



Whether your customers are gearing up for a new season or simply looking to upgrade their riding wardrobe, THOR's 2024 line of riding and protective gear shines light on its innovative spirit and dedication to its fellow riders. ■





# Choose Your Charger

## Offering Up A Range of Options

**T**ecMate has developed many OptiMate battery chargers over the past 30 years, driven by the demand from motorcycle OEMs for appropriate service and maintenance tools for the batteries in their vehicles, and by advances in motorcycle and battery technology.

The 2024 range of OptiMate battery chargers for power-sport applications are arranged in three groups – **EASY**, **MORE** and **BEST** – according to function, popularity and riders’ battery knowledge.

### THE EASY GROUP

All OptiMate DUO battery chargers included in this group can charge and maintain a stored vehicle’s 12V battery. They are popular with vehicle owners who don’t know technical details of the 12V battery in their vehicle, and/or want a more cost-effective maintenance option.

More specifically, they can automatically charge and maintain a 12V Pb / lead-acid (flooded, VRLA, AGM & GEL) or a 12.8V/13.2V LFP Lithium (Lithium Ferrous Phosphate / LiFePO4). All your customer has to do is connect the OptiMate DUO battery charger to their vehicle’s 12V battery and it will then take care of the rest.

The Bronze series OptiMate 1 DUO (p/n 3807-0488) is the most popular choice for 24/7 long term maintenance of any 12V power-sport battery. OptiMate 2 DUO (p/n 3807-0563) offers a faster charge current of two Amps

and will then maintain the battery. OptiMate 2 DUO is also offered in two-station (3807-0581) and four-station (p/n 3807-0580) models.

If your customers do not have AC power where their vehicles are stored, the Off-Grid series options include the OptiMate SOLAR DUO 10W (p/n 3807-0542), which is ideal for maintenance of any 12V powersport battery. There are also larger 20W and 40W panel options available as well.

There is also the OptiMate DC-DUO (p/n 3807-0339) that sources power from a 12V vehicle system or separate 12V battery, ideal if the vehicle is stored in underground parking or your customer wants to charge a 12V battery on the go (e.g. a powersport vehicle on a trailer or at the racetrack). It can also reset the smart BMS of a LFP Lithium battery.

### THE MORE GROUP

The battery chargers in this group are battery-chemistry specific that enables them to apply the correct recovery mode to bring the connected dead-flat battery safely back to life.

This group is popular with motorcycle OEMs or, knowledgeable riders who prefer a battery charger that is designed for the specific battery in their vehicle.

The Silver series OptiMate 3 (p/n 3807-0253) can save, charge, test and maintain a 12V Pb / lead-acid (flooded,



OptiMate 1 DUO



OptiMate Lithium 4s



VRLA, AGM & GEL). OptiMate 3 is also available as two-station (p/n 3807-0308) and four-station (p/n 3807-0309) options.

The LITHIUM series OptiMate Lithium 4s 0.8A can reset the BMS and then save, charge, test and maintain a 12.8V/13.2V LFP (Lithium Ferrous Phosphate / LiFePO4) lithium-ion battery. It is also available in a 4-station option.

**THE BEST GROUP**

The Gold series OptiMate 4 Quad program has all the features of the EASY and MORE group combined into a single smart battery charger, and it can maintain the battery of a BMW motorcycle via its CAN-BUS controlled 12V socket. This makes it the popular choice of BMW motorcycle riders and riders of other brands that prefer a single battery charger that can do it all.

OptiMate 4 Quad offers four selectable programs to save, charge, test and maintain 12V Pb / lead-acid (flooded, VRLA, AGM & GEL) or a 12.8V/13.2V LFP Lithium (Lithium Ferrous Phosphate / LiFePO4) battery directly, in or out of the vehicle, or charge, test and maintain via the CAN-BUS controlled 12V socket of BMW motorcycles.

Two models are offered and both are identical in operation. The standard OptiMate 4 Quad program (p/n 3807-0648) includes a handlebar hanging hook, a set of battery clips



and a separate fused battery lead harness. The OptiMate 4 Quad Program Premium edition (p/n 3807-0649) also includes the SAE-to-DIN plug adapter that enables connection to the 12V power socket on BMW and Triumph motorcycles. ■

Choose your **OPTIMATE** battery charger



Learn how



**EASY**

**MORE**

**BEST**

**BRONZE**

**12V**

**OptiMate 1 DUO**

**SILVER**

**12V Pb**

**OptiMate 3**

**BRONZE**

**12V**

**OptiMate 2 DUO 12V2A**

**LITHIUM**

**12V LFP**

**OptiMate Lithium 4s 0.8A**

**GOLD**

**12V Pb**

**LFP**

**BMW CAN-bus (Pb & Li)**

**OptiMate 4 quad program**



# Smooth Operator

## The Next Generation of Auto Clutches

**S**mooth clutching just got easier. Rekluse is already known for its automatic clutch systems, and the new RadiusX and RadiusCX 4.0 auto clutch kits feature the latest technology for the smoothest engagement and modulation yet.

There is a lot to love about an auto clutch for a motorcycle. The clutch engages and disengages based

decade ago, and now, EXP 4.0 is here. The result is that Rekluse auto clutches have more direct power delivery, increased longevity and improved functionality.

The new EXP 4.0 disk will be incorporated into RadiusX (p/n 1130-0690) and RadiusCX 4.0 (p/n 1130-0824) auto clutch kits. Many riders who already have a Rekluse clutch kit with the EXP 3.0 disk can easily upgrade by simply swapping the old disk for the new.

One of the changes that has made these improvements possible is that the base material for the EXP disk has been upgraded. EXP 4.0 is crafted from a material that provides better strength in high-temperature environments, which is a big benefit considering the heat that a clutch system generates. The EXP 4.0 disk has been further strengthened with a redesigned internal wall, a change that improves the feel and feedback for the rider.

Rekluse designers also took a cue from the TorqDrive clutch plates included in the kits. Now, the EXP disk has the same friction design found on those plates. This design helps the EXP 4.0 disk sync with the oil flow of the clutch pack, resulting in improved cooling and consistency.

Another significant change to the EXP 4.0 disk is its updated "wedge" design. The previous version of the disk relied on a sliding motion to engage and disengage the clutch. Now, the wedge uses built-in pins to roll

rather than slide. This results in a smoother motion, and smoother translates to immediate engagement and better power transfer to the rear wheel.

That's not the only change made to the wedge setup. Riders now have the option of running a light, medium or heavy wedge weight. This is in addition to the disk spring options that were already available. It is easier than ever for a rider to adjust their Rekluse auto clutch to suit their engine and riding style. ■



Rekluse's new EXP 4.0 disk is designed to provide smoother, more immediate engagement and better power transfer to the rear wheel. It will be incorporated into RadiusX and RadiusCX 4.0 auto clutch kits.

on rpm thanks to the EXP disk inside a Rekluse auto clutch system, eliminating the need to pull in the lever when starting, stopping, and in other situations. By being able to start and stop without needing to engage the clutch lever, riders can enjoy more controlled riding. This is especially a benefit when navigating difficult terrain.

The EXP disk has been around for a while, but this latest version marks a new generation of refinement. Rekluse launched its EXP 3.0 auto clutch technology about a



# Reed Revolution

## Improved 2-Stroke Performance

**T**he Covid pandemic brought surprising highs and unpredictable problems to the powersports industry. The sudden resurgence in riding and rebuilding created manufacturing challenges that were evident for multiple seasons to follow. Regardless of the hurdles, dedicated companies like Moto Tassinari kept fueling the passion of its customers a priority.

The term “VForce reeds” has been used by 2-stroke riders for generations when referring to their list of upgrades for premix-burning dirt-bikes. When the fourth generation of VForce was launched, it built upon a solid foundation that was laid with the VForce3 (p/n 1008-0271). When referring to the design of the VForce4, the crew at Moto Tassinari jokingly says, “The only thing we didn’t change is the bolt pattern.” While it may sound like just a light-hearted comment, it bears a lot of truth.

Moto Tassinari’s team designed, developed and incorporated a host of performance and material upgrades into the VForce4 (p/n 1008-0283). This includes increased air velocity from a revised reed tip shape, an all-new reed petal system using carbon fiber and pre-curved petals for improved sealing, plus longer reed stops for increased durability. Overall, the fourth generation brought increased airflow, which means more power.

This led to the VForce4R, which incorporated a rubber overmolding on the reed surface, taking reed petal life and sealing capability to another level. The 4R has proven itself as a force of modern 2-stroke induction performance, but the impact of Covid left a lasting mark.

Moto Tassinari faced these challenges head on, leading to the latest VForce4X system (p/n 1008-0360). So, what type of issues led to a new generation of VForce? Well, the rubber overmolding from the VForce4R that provided improved durability was one of the few components coming from an outside supplier. The supply chain challenges of the time caused this to become a major pain point, leaving Moto Tassinari unable to finish VForce4R units and anxious customers empty handed.



**For the VForce4X, Moto Tassinari completely redesigned its signature product by creating a new reed cage surface design and reed petal combination that increased reed petal life. The new design also changed the production process, resulting in a lower product price for customers.**

The solution? Moto Tassinari stuck to its traditional ways of controlling every single step of its manufacturing process and set out to design a new reed valve that could achieve the same extended life of the 4R without relying on third-party suppliers.

The VForce4X – proudly made completely in-house by Moto Tassinari – is the result of this new design, featuring an all-new reed cage surface and petal combination. This milestone gives VForce4X increased petal life while eliminating an additional step in the production process, passing those manufacturing cost savings onto the customer.

VForce4X reed valves are available for many popular GASGAS, Husqvarna, KTM and Yamaha 2-stroke models, including many of the Austrian TPI and TBI engine applications. ■



# Ride Well

## 2024 Road Collection Highlights

**A**lpinestars' latest range of motorcycling garments delivers a formidable combination of cutting-edge innovation, advanced material and advanced technology.

Designed for all-day comfort and occasional running on any type of ground or terrain, the Meta Road v2 shoe (p/n 3405-3411) is engineered to be durable, lightweight and breathable. With every component optimized to create

with pre-curved arms for maximum riding performance. This textile jacket is also equipped with a detachable quilted thermal liner, which allows it to be tailored to the conditions, adding to its all-weather versatility.

This jacket has been optimized to be as comfortable as possible. It is equipped with a 3D pattern silhouette to create a natural material flow on the shoulders and elbows for a great riding feel.



Andes Air Drystar jacket



T-GP Plus R v4 jacket

a shoe capable of being worn all day, whether walking, kneeling or standing, on all types of ground surfaces, the Meta Road v2 is the ideal shoe for race-team workwear.

The shoe boasts many key design elements, including a lightweight and breathable mesh upper engineered for great airflow and a seamless microfiber chassis construction for enhanced durability and structural integrity. A slip-on design with a large toe box allows the toes to spread when kneeling for superior levels of comfort. This comfort is enhanced further thanks to the special insert that is in the main midsole beneath the heel to deliver long lasting softness.

The T-GP Plus R v4 jacket (p/n 2820-6622) is also meticulously engineered. Designed for superior rider comfort in the riding position, this jacket is equipped with a Sport fit

Other features include a 450D poly-fabric main construction with 600D reinforcement in critical areas for a blend of durability, abrasion resistance and comfort. There are extensive ergonomic stretch shell inserts for an improved fit. A detachable thermal liner allows the jacket to be easily adapted to the weather conditions. Integrated DFS Lite shoulder protectors offer friction control, and Nucleon Flex Plus shoulder and elbow armor provides impact protection.

Touring riders are looked after, too. The Andes Air Drystar® jacket (p/n 2820-6577) and pants (p/n 2855-0677) have been engineered to deliver optimal protection, comfort, airflow and ventilation in warm riding conditions. It can also be quickly and easily adapted to tackle cooler temperatures and wet weather, allowing them to be the ideal dual season touring combo.

The jacket features a road-orientated fit, with reduced length and a contoured bottom edge, as well as pre-shaped arms for rider comfort and reduced fatigue. Extensive 2D mesh on the chest, inner arms and back deliver airflow and ventilation in warm riding conditions.

The Andes Air Drystar Pants also feature extensive mesh, as well as pre-curved legs for rider comfort and reduced fatigue. They come with cargo pockets for enhanced utility and practicality. ■



Alpinestars Meta Road v2 shoe



# Cool Casuals

## Motorsports-Inspired Apparel



Alpinestars' Spring 2024 Sportswear Collection is a range of modern iconic streetwear that celebrates motorsports. The lineup includes a host of gear, including several hoodies and T-shirts.

**A**lpinestars, the iconic brand synonymous with champions and motorsports enthusiasts, introduces the Spring 2024 Sportswear Collection that seamlessly merges modern iconic streetwear and designs with enhanced functionality. The Alpinestars SPR / 24 Sportswear Collection is more than just clothing, it's a statement of identity, a celebration of heritage and the relentless pursuit of excellence.

The Spring 2024 Collection encompasses a diverse range of jackets, hoodies (p/n 3050-6709), T-shirts (p/n 3030-23670) and hats, inviting fans to showcase their passion for motorsports beyond the racetrack. With a carefully curated blend of heritage and creativity, the new line positions Alpinestars at the forefront of style and street culture. The sportswear collection is divided into three lines, Performance, Racing and Iconic, each with its own distinct vibe.

The **Performance** Line is designed to perfectly complement an active lifestyle. For those motorsports fans who live in constant motion, the Performance line seamlessly blends durability, light weight and comfort in a stylish package.

The **Racing** Line allows the motorsports community to immerse themselves in the world of racing, offering styles developed with inspiration from the most important race-tracks and paddocks worldwide.

The Iconic Line reflects Alpinestars' 60 years of innovation in motorsports and represents the company's continuous quest to push the boundaries of safety.

The Alpinestars AMP3 Backpack (p/n 3517-0525) is the perfect technical backpack designed for functionality, and for carrying gear both on and off the bike. With an overall capacity of 17 liters, the AMP-3 Backpack is constructed



The Alpinestars AMP3 Backpack is the perfect technical backpack, designed for functionality and for carrying gear both on and off the bike.

from a heavy-duty tech fabric with structured, padded walls and lower body reinforcements to help maintain the bag's shape, as well as full, long zippered openings for easy and wide access.

Other key design features a magnetic closure on the chest for ease of use even with gloved hands, wide adjustable shoulder straps that help spread the load evenly across the chest to improve comfort and reduce fatigue. There's also a three-sided zippered opening for quick and easy access, even with gloves, an internal compartment with elasticated wallet and laptop holder and a storage compartment. Two elasticated external, semi-open pockets offer storage of water bottles or other gear, and four adjustable outer compression straps keep things compact. ■



CLICK / SCAN



# Load Up and Go

## Ramps and Wheels for Off-Road



The 23X wheel is hard-working and capable of carrying heavy loads while also offering a stylish, performance-minded design for your UTV customers.



The 24X wheel from Moose Utility Division and Moose Racing is built from lightweight aluminum and comes in matte bronze and gloss black.

**N**ow that spring riding season is here, that means ATV and UTV enthusiasts will be loading up and heading to their favorite recreation areas. Or, for those who use their vehicles for work, they will likely be putting in long hours in the coming months. Whatever the vehicle is being used for, it's important for riders to have accessories that get them – and their vehicles – where they want to go.

Whether it's for work or play, Moose Utility Division helps riders get the most out of their ATVs and UTVs. In addition to two new wheels, the company also has two loading ramps to make it easy to load up and transport vehicles.



The bi-fold aluminum ramp (right) and the arched folding aluminum ramp (left) from Moose Utility Divisions are two great options for loading and unloading vehicles from trucks, trailers or vans.

The new 23X and 24X wheels feature Moose Racing branding. In fact, these UTV wheels have hallmarks of both Moose Utility Division and Moose Racing; they are hard-working and capable of carrying heavy loads while also offering a stylish, performance-minded design. This makes them an ideal choice for riders who want the best of both worlds.

Both the 23X and the 24X wheel are made from aluminum for that great blend of light weight and durability. The 23X wheel (p/n 0230-1377) is available in a black satin finish, while the 24X wheel (p/n 0230-1381) comes in both matte bronze and gloss black.

As with all wheels from Moose Utility Division and Moose Racing, every single one is X-rayed on the production line to check for quality. Riders can buy these wheels with confidence, knowing they have been thoroughly inspected.

Those wheels can easily roll a vehicle onto a truck or trailer with the help of a Moose Utility Division loading ramp. Both the arched folding aluminum ramp (p/n 3910-0017) and bi-fold aluminum ramp (p/n 3910-0002) are durable and lightweight thanks to their design and weather-resistant aluminum construction. The bar-style surface offers better traction, so loading is easy even after a day of riding through mud and dirt. Both loading ramps have EZ grip rubber rests and nylon straps. This setup allows each ramp to be securely mounted without worrying about scratching paint.

The arched folding aluminum ramp includes two separate ramps, which can be exactly placed to accommodate the width of the vehicle being loaded or unloaded. The bi-fold aluminum ramp creates one large ramp, but folds in half for more convenient storage. ■





# A Championship Rotor

## An Off-Road Rear Rotor for Improved Performance

One of the benefits of working in multiple industries is the ability to share and adapt technologies across platforms. After seeing the success of its Shark disc for bicycle applications, Galfer decided to apply that same design technique to off-road motorcycles. The result is the innovative Shark rear brake rotor.

Like so many other Galfer products, the Shark disc was adapted for off-road riding through extensive collaboration with professional racers in various off-road racing series. The result is not only a highly effective new brake rotor, but three world titles as well.

Steve Holcombe brought home the 2023 EnduroGP and E2 World Championships, and he did it using a Galfer Shark disc on his Beta Factory Team bike.

Galfer's innovative Shark rear brake rotor features a one-piece design for improved strength and improved thermal capacity. It also has small holes and fins to help with heat dissipation, and can improve brake pad life.

His teammate Brad Freeman won the E3 title, also with the help of this revolutionary new brake disc.

The team at Galfer designed the off-road version of the Shark disc to address overheating issues with the rear brake. This problem has been especially prevalent in enduro racing, where the brakes are under higher stress for longer periods of time. The Shark disc helps prevent brake fluid from boiling, so brakes remain at a more consistent temperature, which in turn gives riders more precise braking. This is especially beneficial when racing on hard, dry terrain.

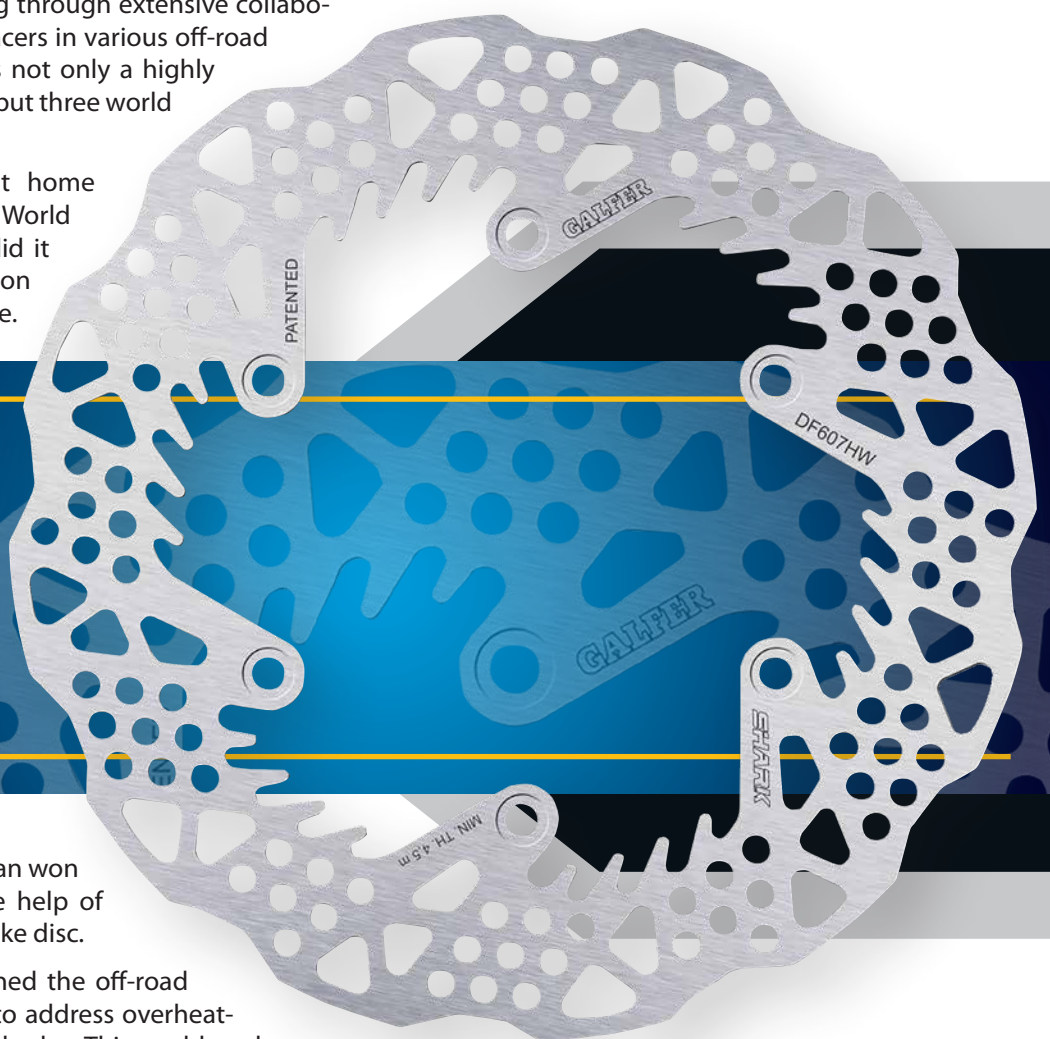
One of the ways the Shark disc (p/n 1710-4640) reduces operating temperatures is through the small holes and fins in the disc's design. This optimizes heat dissipation by increasing the contact area across the surface of the

rotor. Another perk of the design is that the brake pads last longer, with Galfer reporting that the Shark disc can improve brake pad life by 25 percent to 40 percent under normal braking conditions.

The Shark disc is made from one piece for improved strength, and it is thicker than a typical rear brake rotor. This thicker design promotes strength and improves thermal capacity.

All these design features result in a rear brake disc that is extremely stable and consistent. This allows riders, from amateurs to top-tier racers, to have full confidence that their rear brake will get them to the finish line with ease.

Currently, the Galfer Shark disc is available for the most common enduro and motocross motorcycle models, with a particular focus on Beta, GASGAS, Honda, Husqvarna, KTM, and Sherco. ■





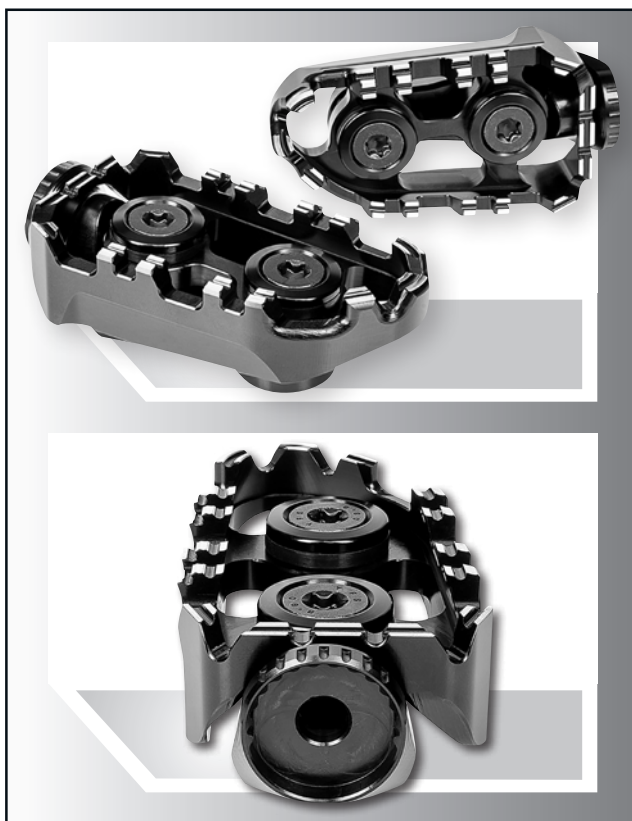
# Command and Control

## Footpegs Built for Serious Adventure

**I**t's always exciting to introduce your customer to products that are truly new and innovative. The new TECH-X Enduro footpeg from GILLES Tooling is one such unique product. Its novel footpeg introduces a new level of grip and control, ideal for Adventure motorcycles with a whole new feel for off-road riding, as well as added comfort on the longer rides.

The TECH-X Enduro footpeg (p/n 1620-2536) from German company GILLES Tooling GmbH introduces a signature design with the base attaching to the stock mounting point on the frame while the footpeg itself rides on a rubber mounting system. This gives the peg its own damping system to not only absorb vibration and bumps, but to also enable the footpeg to slightly articulate with rider foot movements.

"The notches dynamically adapt to the [rider's] weight shift, by being able to move forward or backward,



GILLES Tooling's TECH-X Enduro footpeg features its own damping system that not only absorbs vibration and bumps, but also enables the footpeg to slightly articulate with the rider's foot movements.

### STREAMING VIDEO PLACEMENT

accompanied by an intelligent damping system," the GILLES website explains. "Our unique serrated structure ensures reliable slip protection and allows unrestricted concentration on the road."

What makes the TECH-X Enduro footpeg unique is the use of the elastomeric damper. GILLES Tooling Sales Manager Ralf Kahlenberger described the development of the TECH-X Enduro and explained how identifying the ideal rubber compound for the elastomers with just the right amount of movement was an exciting moment for the team.

"This was an interesting process for our R&D team, and it was pretty special when we found the right inserts that allowed the movement of the peg we were looking for," Kahlenberger explained. "The last part of the decision is always the final design in terms of colors, engravings and milling. For the TECH-X Enduro footpeg we gave them a two-color scheme with a black body and silver edges. They look very impressive."

GILLES Tooling describes the reactive movement of the TECH-X Enduro pegs as "dynamic adaptation to foot movements" and also aim to help improve safety by minimizing slip and providing greater comfort through less vibration.

GILLES is well established in the world of motorcycle foot controls. Founded by former racer Gerhard Gilles, the company established itself by developing adjustable footrests systems and evolved to produce a wide range of products. GILLES went on to become an official supplier to BMW Motorrad, Suzuki and Yamaha. ■



CLICK / SCAN



**KSX**

## Under Pressure Radiator Replacement Made Easy

**O**ff-road motorcycles are designed to perform well in even the most difficult conditions, but as riders know, there is always going to be something that needs to be repaired or replaced. Bikes that are ridden hard require constant attention to ensure everything is working exactly as it should be. KSX believes maintenance should be efficient and effective, which is why the company has a range of OEM-replacement radiators to keep engines running cool.

Among the latest KSX radiators are two designed to fit 2023 and newer Husqvarna and KTM off-road motor-

thing, it becomes a hassle when a rider is trying to service their bike. So, when KSX introduced its replacement radiators for these GASGAS, Husqvarna and KTM models, that old-style metal cap with wings was a part of the package.

Customers can get the convenience they want with the KSX right-side radiator (p/n 1901-0935) and left-side radiator (p/n 1901-0934) for these models.

KSX is an expert in the radiator category, with a wide range of applications available for off-road bikes. Of the more than 200 fitments available, some of the



**KSX offers OEM replacement radiators for 2023 and newer Husqvarna and KTM off-road motorcycles, plus 2024 GASGAS models. They not only are an improvement over stock, they also feature the preferred old-style metal caps with wings.**

cycles, plus 2024 GASGAS models. These two radiators are more than just OE replacements because they are an improvement over the stock version.

Beginning in 2023, bikes from all three manufacturers began rolling off the line with a small but significant change – the radiator caps were different from previous versions. Instead of the standard metal cap with wings, these newer bike models had cylindrical plastic caps.

The metal cap design makes it easier to remove and securely replace the cap to ensure a firm seal that will allow the radiator to perform properly. Without that wing design, the cap is much more difficult to work with.

KSX began hearing from bike owners who reported this difficulty. And, while it might seem like a small

most recent include radiators for 2023 and newer Yamaha YZ450F bikes as well as 2024 YZ250F models. The dimensions of every KSX radiator match the OEM dimensions, so making the swap is as easy as possible.

Parts Europe has been distributing KSX parts since 2015, and the list includes more than just radiators. Hour-meters, mounting kits for hour-meters and fork air bleeders are included in the list of KSX products available.

There are radiator hose kits in the catalog, too. And, for riders who do not need an entire radiator but do want that traditional metal cap with wings, KSX offers that separately. The KSX radiator cap (p/n 1903-0020) is made with a high-quality spring wire to provide consistent blow-off pressure. ■



# Stopping Power

## High-Quality OEM Replacement Rotors

**Y**ou should only go as fast as you can stop, right? Well, if that's the case, Moto-Master has been helping riders reach higher speeds since 1997. Living by its mantra, "Stopping the World's Fastest," Moto-Master has an expanded line of its popular Nitro Series brake discs, which it calls "the ideal budget OEM replacement."

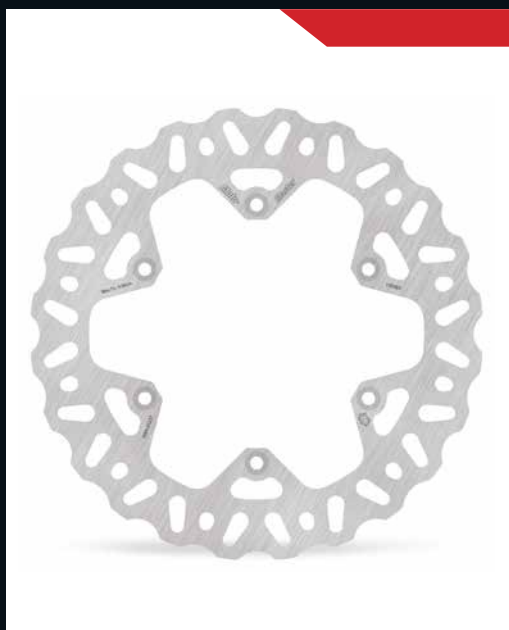
Nitro Series brake discs (p/n 1711-2252) for dirtbikes have long been a fixture in the expansive line of Moto-Master rotors. Nitro Series discs are very attractive to

For ATV customers, the Nitro Series Offroad is available in the stainless steel fixed design, offering a generous assortment of entry-level replacements for the four-wheel crowd.

The Nitro family has recently expanded to extend to the road crowd with the introduction of the Nitro Road Series. This floating disc design is made up of an outer ring made from specially hardened quality stainless steel with double sided grinding. The black anodized inner carrier is made from CNC-machined aluminum, married to the



Moto-Master's Nitro MX Floating Disc provides a stopping-power upgrade with better performance and more consistent feel.



The Nitro Series Offroad Disc from Moto-Master features a simple fixed design, with integrated venting slots to aid with cooling and cleaning of the brake pad contact surface.

budget-minded buyers looking to replace their original disc, and come in both fixed- and floating-disc designs. The Nitro Series Offroad Disc, featuring the simple fixed design, is integrated with venting slots to aid with cooling and cleaning of the brake pad contact surface. They're made from specially hardened premium quality stainless steel.

For a slightly higher cost your customer can experience a stopping-power upgrade with better performance and more consistent feel from the Nitro MX Floating Disc series. The "floating" design refers to the aluminum inner ring and steel outer ring, a combination that results in much improved heat dissipation. The Nitro MX Floating Disc also brings the advantage of being the same overall size as the stock unit, not needing a caliper relocation adapter.

outer disc with stainless steel floaters. This entry-level-priced range covers a wide range of popular road bikes.

"The new Moto-Master Nitro Road Series Discs are targeted at customers who are looking for a replacement on their road bike but don't want to (or cannot) spend too much money on a brake rotor," explains Moto-Master Europe Operations Manager Jöran Harkema. "It has a comparable price level to OE discs, which is probably the reason why our sales have done so well over the last year."

Moto-Master is based in the Netherlands, where all its research and development, manufacturing and warehousing are located. Moto-Master prides itself on stocking a wide range of brake rotors. ■





## Rally Roots

### A Special-Edition Bike Gets a Tire Upgrade

One of the best things about Adventure riding is the ability to go just about anywhere. Just because the tarmac ends does not mean the ride has to. And, to do that, the right tires are a must. The Dunlop Trailmax Raid is a true 50/50 tire designed for confident off-road riding without compromising on-road traction and stability.

It is easy to see why Suzuki Italy chose Dunlop Trailmax Raid tires for its special-edition Suzuki V-Strom 800DE Djebel. This rally-inspired bike was unveiled at the Motor Bike Expo in Verona, Italy, showing off a host of Adventure-focused upgrades, right down to the tires.

The styling of the V-Strom evokes Suzuki's enduro bikes that dominated rally racing in the 1980s and '90s. In a nod to the DR-Zs competing in the Dakar rally back in those days, the V-Strom has a special graphics package that harkens back to that era.

Of course, graphics alone do not turn a bike into a true special edition fit for adventure. The Dunlop Trailmax Raid tires are fitted to the 21-inch and 17-inch rims of the V-Strom 800DE Djebel. This change from the Trailmax Mixtour tires that are OE on the standard V-Strom 800DE means the bike is even more capable in off-road riding scenarios.

Roberto Finetti, Marketing Manager, Dunlop Motorcycle Europe, says, "It is exciting to see Dunlop Trailmax Raid chosen as a key upgrade to the special edition V-Strom 800DE Djebel. Not only does Trailmax Raid provide on and off-road performance worthy of this heritage-edition bike, but it has been designed to look the part on Adventure-focused models like this, too."

There is quite a long list of motorcycle models the Trailmax Raid tires (p/n 0317-0756) are suitable for. They are a great upgrade for mid-size Dual Sport motorcycles as well as the full-sized, fully loaded Adventure bikes.

What the Trailmax Raid brings to these motorcycles is agile, predictable riding in off-road environments. On paved roads, two of the most significant features of the Trailmax Raid tires are their outstanding wet-weather capability and their long-distance touring performance.



Suzuki Italy chose Dunlop Trailmax Raid tires for its special-edition Suzuki V-Strom 800DE Djebel. They are a true 50/50 tire that provides nimble, predictable performance both on-road and off.



The Trailmax Raid tires not only look the part on Adventure-focused machines, they're designed for riders who want highway stability and confident off-road traction in one tire.

As a true 50/50 tire, the Trailmax Raid plays a significant role in Dunlop's line of trail and adventure tires. The Trailmax Meridian is designed for 90 percent on-road Adventure Touring, while the Mutant crossover tire and Trailmax Mission are geared toward tough off-road terrain. The Trailmax Raid sits right in the middle, offering riders the best of both worlds. ■



# Perfect Fit

## Gaskets for European Off-Road Models

**S**ince Cometic was founded in 1989, off-road motorcycles have been a big part of the company's journey as a quality manufacturer of gaskets. The first off-road Cometic gasket kit was for a 1983 Honda CR80.

In the years since that first off-road gasket kit, Cometic has become a familiar company in that segment of motorcycling, serving the needs of riders from those out there just for fun to the top pros in Supercross and other off-road disciplines.

There are a lot of off-road gaskets available from Cometic, which are available in kits as well as individually. Among the applications are top end kits for some of Europe's leading motorcycle brands, including GASGAS, Husqvarna and KTM.

Because these brands are all under one ownership umbrella, many Cometic gaskets will fit all three. An example of this is the top end gasket kit that is compatible with the GASGAS MC 50, Husqvarna TC 50 and KTM SX 50 (p/n 0934-4189).

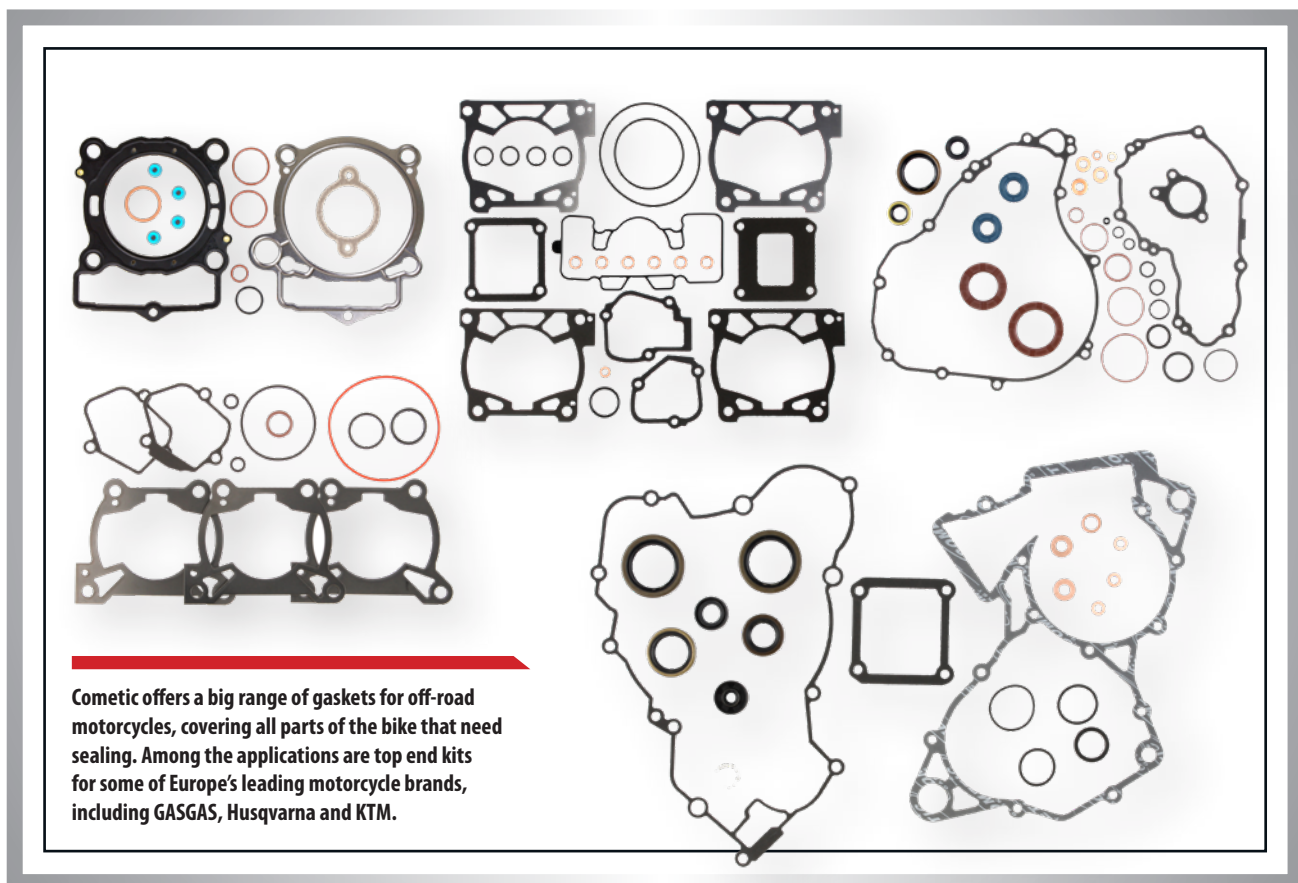
This kind of versatility makes Cometic gaskets a great part to have on hand in the service shop, since one part number works for several different motorcycle models as well as a range of model years.

Dealers and customers alike can also be confident that when they choose a Cometic gasket, they are getting high quality. MLS (Multi-Layer Steel) head gaskets result in a more even torque load across the gasket sealing surface. The result is less bore distortion as well as a better overall seal to produce more power.

Cometic head gaskets for 4-stroke applications are also coated with Viton rubber, which helps the gaskets withstand the high-pressure conditions in modern, high-performance motors. This is part of Cometic's EST, or Extreme Sealing Technology. The rubber is combined with an embossed stainless steel head to produce the best seal and the highest performance possible.

Each top end gasket from Cometic includes the correct base, head gasket and cylinder O-rings. Any additional O-rings or seals needed for an application are included, too.

Cometic has a wide range of gaskets and gasket kits, with applications that extend far beyond GASGAS, Husqvarna and KTM. All the R&D for these gaskets is done at Cometic's headquarters in Concord, Ohio, USA using the latest technology and manufacturing methods. And, of course, Cometic also uses motorsports as the ultimate proving ground, with many sponsored teams and riders at all levels of the sport. ■



Cometic offers a big range of gaskets for off-road motorcycles, covering all parts of the bike that need sealing. Among the applications are top end kits for some of Europe's leading motorcycle brands, including GASGAS, Husqvarna and KTM.



# Off-Road Protection

## Extra Tough Handguards

**F**or off-road riding, hand protection is essential in just about every type of situation and every type of terrain. For customers looking for effective, durable handguards that offer valuable protection, Barkbusters offers the newly redesigned EGO handguards and the VPS Motocross handguard.

For customers seeking handguards with impact protection, you can direct them to Barkbusters' two-point mount models such as the newly redesigned EGO handguards (p/n 0635-2384). An impact can mean hitting trees, branches, rocks or bushes, and can also mean a tip-over, in which case not only your hands, but your levers and controls could potentially be exposed to damage.

The EGO handguards are built extra tough and are designed for enduro and trail bikes. They feature an aluminum backbone, and a compact curved profile for maximum protection. They fit 22mm bars and feature a replaceable, high-impact-resistant EGO plastic guard.

The VPS (p/n 0635-2214) from Barkbusters is an open-ended handguard with a single-point mount, meaning it does not wrap around and connect to the end of the handlebar. This allows for quick and easy mounting, as it does not require the rider to remove end-caps from the handlebar/grips, or to cut holes to mount wrap-around-style handguards.

The VPS Motocross Handguard is designed to protect the rider's hands against dirt and rocks kicked up by other riders on the track, as opposed to heavier debris such as trees and brush that enduro riders will more likely encounter. The single-point mount also means that the handguard remains lightweight, takes up minimal space on the bar, and also doesn't impede the flex quality and vibration absorption of the handlebar.

Each VPS Handguard set comes with aluminum alloy handlebar clamps and high-strength nylon brackets. The universal-fit design of the clamps allows your customer to adjust the position of the handguards. The VPS plas-



**Barkbusters' newly redesigned EGO handguards provide great protection for hands and levers against everything from impacts with trees and branches to tip-overs. They are a great addition for enduro and trail bikes.**



**The VPS from Barkbusters is an open-ended handguard with a single-point mount, allowing for quick and easy mounting. It's designed to protect the rider's hands against dirt, rocks and other roost out on the track or trail.**

tic guards included are high-impact resistant, though Barkbusters also points out that "the single-point mount product is not designed for impact protection."

An extensive range of colors are matched to popular motorcycle brands so that customers can match perfectly to their dirtbikes. Barkbusters VPS Motocross Handguards are also available in additional shades such as pink and silver for a unique look. Along with the base colour variants, customers also have the choice of the "Barkbusters" logo graphic on the front in either black or white.

An extra deflector can also be installed for a larger protective area. The variable height Wind Deflector Set (sold separately, available in either black or white) can be added to any Barkbusters handguards. ■



CLICK / SCAN



# Slipping into Summer

## Vests for Every Level of Watersports



Slipperry's 2024 collection of vests features its popular Hydro line. It is offered in a rainbow of colors in men's, women's and youth sizes.

**T**ransitioning out of winter and into spring is that time of year we get our first reminder of the warmer weather to come. Clear skies and feeling the sun warm your skin are cues to soon break out the water toys, which means it's time to replace that musty old vest in the closet.

From wetsuits to footwear to vests, Slipperry is a household name no matter what your customers' choice is of watersport. The passionate crew at Slipperry understands that the needs and wants of customers hitting the water this summer can vary substantially, which is why they've developed a range of new vests for 2024 to keep everyone safe and smiling.

Fun on the water is a family affair, and the Hydro line of vests from Slipperry has mom, dad and the kids covered. Hydro is an ideal, all-around vest for whatever water activity is on the menu. Offering a key combination of modern performance, style and value,

these vests provide a comfortable and secure fit in a lightweight package.

Hydro vests feature four belts with heavy duty buckles for versatile adjustability. Each vest is constructed of premium quality nylon and even has a D ring for conveniently securing PWC lanyards. Offered in a wide range of men's (p/n 3240-0985), women's (p/n 3240-10145) and youth sizes (p/n 3242-0075), plus various colors, Hydro vests are a turnkey way to prep the family for summer without breaking the bank.

Taking a step up in performance and active design is the Surge vest (p/n 3240-0961). These vests were designed for your customers whose definition of fun on the water enters more serious territory. From ripping turns and airing it out on Jet Skis to laying down tricks on the wakeboard, Surge vests are up for the challenge.

The unique, segmented foam design gives Surge vests more flexibility and more comfort. These segments increase the number of hinge points throughout the vest, optimizing its ability to move naturally with its wearer. Surge vests are also safety standard tested and certified, and boast a heavy-duty zipper to withstand the stresses customers might throw at them.

Sliding to the other end of the spectrum, sometimes customers just need a vest to keep on the boat that will work for most anyone. Slipperry's Impulse vest (p/n 3240-0991) fits that bill, offering great function and a universal fit in an economical package. Meeting the same safety requirements, Impulse is the perfect vest to have a couple extras ready for days on the water.

Whether your watersports customers are extremists or casual enthusiasts, Slipperry's new vests are dishing up form and function for everyone. ■



Slipperry's Surge vests are built for serious watersports fun, and offer your customers excellent comfort and confidence while out on the water.



# Break the Bead

## A Multi-Use Tool for Tire Changes

**N**ext to cleaning air filters and changing oil, installing new tires or tubes are among the most frequent motorcycle maintenance needs. Yet, we can likely agree that tire-related tasks can be the most dreaded.

Thankfully, the tool experts behind Motion Pro's doors so happen to be riders as well, and they offer a selection of products aimed to reduce the dread and difficulty of changing motorcycle tires. Among these is the BeadPro tire bead breaker and lever tool set line.

These tire levers feature a complementary design that allows them to work together to make the initial tire bead break much easier. The standard BeadPro version (p/n 3810-0041) is aluminum with a shorter handle for trail packs, while the BeadPro FS (p/n 3810-0053) is forged steel with a longer handle design, ideal for shops and garages.

Breaking tire beads isn't the only task the BeadPro line was built to handle. The tools' designs feature an integrated tire spoon so users can pop the bead and move right along with the rest of the tire change with just one tool set. BeadPro's patented designs even



Motion Pro's BeadPro FS is forged steel with a longer handle design, ideal for shops and garages.

considers the ergonomics of the user with integrated handles and a cross guard.

Like all Motion Pro products, BeadPro tools are built to last thanks to precision construction and durable finishes. ■

# THE RIGHT TOOLS

*Prevent Damage To Your Components, Remove Stubborn Seals With Ease*

## PRO SEAL PULLER™

Part No. 38500508

Includes three interchangeable puller tips to accommodate a wide range of seal sizes

PATENTED DESIGN



EASILY REMOVE STUBBORN SEALS WITHOUT DAMAGING ENGINE CASES OR WHEEL HUBS



@motionpro @motionproinc @motionproinc @motionpro

Distributed by  
**PARTS EUROPE**  
www.partseurope.eu

SEE YOUR PARTS EUROPE REP FOR MORE INFORMATION  
MOTION PRO, INC. | MOTIONPRO.COM | +1 650-594-9600

Find your local dealer at [MOTIONPRO.COM](http://MOTIONPRO.COM)



# Ready for Rain

## New Waterproof Luggage Options

**P**acking for Adventure riding is easier with two new 100 percent waterproof Hurricane luggage pieces from Nelson-Rigg's Rigg Gear Adventure line. The 12-liter Dual Sport and 28-liter Adventure tail bags give riders even more options for hauling things along on any kind of adventure.

Like all other gear in the Hurricane collection, these bags are made from heavy-duty UV-treated PVC tarpaulin material with electronically heat-welded seams to make them completely waterproof. Whether a rider is braving water crossings, mud or even just a rainy day, items packed inside these tail bags will stay secure and dry. And, like all Nelson-Rigg brands of luggage, the Hurricane collection comes with Nelson-Rigg's Lifetime Warranty.

The 12-liter Dual Sport tail bag (p/n 3516-0404) is a great fit on enduro and dual sport motorcycles. The



Nelson-Rigg's 12-Liter Dual Sport tail bag is a great luggage option when heading out for adventure.

larger Adventure tail bag (p/n 3516-0405) has 28 liters of space – enough for most full-face helmets. Both tail bags have rigid construction to hold their shape, reflective piping, a top MOLLE panel, rubberized carry handles and internal straps. Mounting is easy using the attached web strapping and tension-lock buckles.

The Hurricane collection also includes saddlebags, which are easier than ever to mount to saddle-

bag supports using the new Quick Release Saddlebag Plates (p/n 3501-2004). These adjustable saddlebag plates fit most OEM and aftermarket 18mm round-bar pannier racks. The top latch and the mounting feet are adjustable to fit many different rack configurations. ■

**FOR WHEREVER YOUR JOURNEY TAKES YOU**

www.nelsonrigg.com



# QUICK RELEASE SADDLEBAG PLATES



**NEW**  
**HURRICANE WATERPROOF LUGGAGE**  
**DUAL SPORT TAIL BAG**

**ADVENTURE TAIL BAG**

**60L DUFFLE BAG**



**NEW**

Scan To Learn More About New Products

**LIFETIME WARRANTY** **PARTS EUROPE**





# Competition Connection

## Race-Worthy Off-Road and Enduro Chains

**T**ough competition and challenging terrain help Regina Chain develop innovative, durable chains. RX3 off-road chains and ZSE enduro competition chains have been proven in the world's hardest competitions.

The RX3 off-road chain is designed to be reliable even under the most difficult riding situations. Lighter weight makes a chain like the 520/135RX3 (p/n 1220-0333) excellent for racing. Shaped bushings, chromized alloy carbon steel pins and specially beveled plates improve durability.

RX3 chains are suitable for motocross and Supermotard bikes up to 500cc. They can be found on bikes from teams like Red Bull KTM and GASGAS Factory Racing. Last year, Jorge Prado won the MXGP title with help from his Regina 520 RX3 chain.

An enduro chain like the 520/135ZSE (p/n 1222-0574) features a Z-ring that flexes during assembly, creating a strong seal for better lubrication and reduced friction. The Z-ring's low profile allows the ZSE chain to fit on motorcycles that cannot accommodate a traditional O-ring chain.



Hard Enduro Champion Manuel Lettenbichler dominated the 2023 season with some help from Regina's 520/135ZSE chain.

The ZSE's plates are high-carbon alloy steel that has been shot-peened and gold-color brass coated. Solid bushings and high-quality materials result in a chain that can get the top enduro racing teams to the finish line. In fact, those teams helped develop the 520 ZSE chain, which is OE on many off-road models.

Red Bull KTM Factory Racing's Manuel Lettenbichler won every Hard Enduro Championship race of 2023 with a 520/135ZSE chain, proving just how capable it is. ■

# RX3 and ZSE

## THE CHAINS MADE FOR DIRT



Original Equipment on KTM, HUSQVARNA, GASGAS, TM.

Proudly made in Italy since 1919



CLICK / SCAN

ICON

AIRFORM MIPS

- » MIPS Brain Protection System can reduce harmful forces transmitted to the brain in certain types of impacts by allowing a slight uncoupled movement of the shell and liner during a crash
- » Injection-molded polycarbonate shell for strength and durability
- » Intermediate-oval headform
- » Clear fog-free Optics™ shield installed and dark smoke fog-free Optics™ shield included
- » Dark smoke internal DropShield™
- » Prolock™ shield locking system
- » Moisture-Wicking Hydradry™ removable comfort liner
- » Dark smoke spoiler kit
- » Gloss/matte painted finish with 3D graphics
- » Meets DOT FMVSS 218 (US), ECE 22-06 (Europe), and PSC (Japan) helmet safety standards

NOTE: Does not ship with PSC certification stickers unless purchased from an authorized dealer in that country.  
 NOTE: The DropShield™ visor must only be used while the main face shield is in the fully closed position.

MANIK'RR					
SIZE	RED	PURPLE	DARK BLACK	LIGHT BLUE	PINK
XS	0101-17010	0101-16970	0101-17003	0101-17014	0101-17022
S	0101-17011	0101-16971	0101-17004	0101-17015	0101-17023
M	0101-16934	0101-16972	0101-17005	0101-17016	0101-17024
L	0101-16935	0101-16973	0101-17006	0101-17017	0101-17025
XL	0101-16936	0101-16974	0101-17007	0101-17018	0101-17026
2X	0101-16937	0101-17012	0101-17008	0101-17019	0101-17027
3X	0101-16938	0101-17013	0101-17009	0101-17020	0101-17028

MUNCHIES	
SIZE	BLUE
XS	0101-16967
S	0101-16968
M	0101-16969
L	0101-17043
XL	0101-17044
2X	0101-17045
3X	0101-17046



DRAG SPECIALTIES SEATS

FREEDOM TOURING SEATS

- » Features solar-reflective leather in the seating area and high-quality automotive-grade vinyl on the sides (unless noted)
- » Features a 14,5 cm (5¾") tall driver support
- » Molded polyurethane foam for maximum comfort and styling
- » 5 mm (¾") ABS thermoformed seat base for a perfect fit, with a carpeted bottom and rubber bumpers to protect paint
- » Seat is made narrow up front for better leg clearance
- » Includes all mounting hardware
- » Dimensions: 77,5 cm long overall (38 cm W front x 33 cm wide rear) (30½" long overall (15" wide front x 13" W wide rear))



PART #	DESCRIPTION
FOR 08-23 FLHT/FLHR/FLHX/FLHTC/FLHTCU/FLHTCUTG/FLTRX/FLTRU/FLTRK/FLRT MODELS (EXCEPT 23 FLHXSE/FLTRXSE)	
0801-1485	Smooth, solar-reflective leather
0801-1478	Smooth, nonsolar-reflective vinyl
0801-1481	Double diamond, black thread, non solar-reflective vinyl
0801-1482	Double diamond, silver thread, non solar-reflective vinyl
0801-1484	Double diamond, red thread, non solar-reflective vinyl
FOR 97-07 FLHT/FLHTC/FLHTCU/FLHR/FLHX/FLTR MODELS	
0801-1508	Smooth, solar-reflective leather
0801-1503	Smooth, vinyl, non solar-reflective
0801-1504	Double diamond, black thread, non solar-reflective
0801-1506	Double diamond, silver thread, non solar-reflective
0801-1507	Double diamond, red thread, non solar-reflective



## DRAG SPECIALTIES SEATS

### PERFORMANCE PREDATOR 1-UP SEATS

- » Features solar-reflective leather in the seating area (unless noted) and automotive-grade vinyl on the sides
- » Features a 14,5 cm (5¾") tall driver support
- » Molded polyurethane foam for maximum comfort and styling
- » 5 mm (¾") ABS thermoformed seat base for a perfect fit, with a carpeted bottom and rubber bumpers to protect paint
- » Seat is made narrow up front for better leg clearance
- » Includes all mounting hardware
- » Dimensions: 76 cm long overall (30 cm wide front x 15 cm wide rear) (30" long overall (11¾" wide front x 6" wide rear))

PART #	DESCRIPTION
FOR 08-23 FLHT/FLHR/FLHX/FLHTC/FLHTCU/FLRT MODELS (EXCEPT 23 FLHXSE/FLTRXSE)	
0801-1493	Smooth, solar-reflective leather
0801-1480	Smooth, vinyl, non-solar reflective
0801-1483	Double diamond, black thread, non-solar reflective
0801-1489	Double diamond, silver thread, non-solar reflective
0801-1491	Double diamond, red thread, non-solar reflective



### PERFORMANCE PREDATOR 2-UP SEATS

- » Features solar-reflective leather in the seating area (unless noted) and automotive-grade vinyl on the sides
- » Features a 14,5 cm (5¾") tall driver support
- » Molded polyurethane foam for maximum comfort and styling
- » 5 mm (¾") ABS thermoformed seat base for a perfect fit, with a carpeted bottom and rubber bumpers to protect paint
- » Seat is made narrow up front for better leg clearance
- » Includes all mounting hardware
- » Dimensions: 76 cm long overall (30 cm wide front x 23 cm wide rear) (30" long overall (11¾" wide front x 9" wide rear))

PART #	DESCRIPTION
FOR 08-23 FLHT/FLHR/FLHX/FLHTC/FLHTCU/FLRT MODELS (EXCEPT 23 FLHXSE/FLTRXSE)	
0801-1495	Smooth, solar-reflective leather
0801-1487	Smooth, vinyl, non solar-reflective
0801-1490	Double diamond, black thread, non solar-reflective



### PERFORMANCE PREDATOR 2-UP SEATS

- » Features solar-reflective leather in the seating area (unless noted) and automotive-grade vinyl on the sides
- » Features a 14,5 cm (5¾") tall driver support
- » Molded polyurethane foam for maximum comfort and styling
- » 5 mm (¾") ABS thermoformed seat base for a perfect fit, with a carpeted bottom and rubber bumpers to protect paint
- » Seat is made narrow up front for better leg clearance
- » Can accept optional Drag Specialties Seats backrests (sold separately, see the 2024 Drag Specialties FatBook)
- » Includes all mounting hardware
- » Dimensions: 76 cm long overall (30 cm wide front x 23 cm wide rear) (30" long overall (11¾" wide front x 9" wide rear))

PART #	DESCRIPTION
FOR 08-23 FLHT/FLHR/FLHX/FLHTC/FLHTCU/FLRT MODELS (EXCEPT 23 FLHXSE/FLTRXSE)	
0801-1501	Smooth, solar-reflective leather
0801-1500	Double diamond, black thread, non solar-reflective
0801-1499	Smooth, vinyl, non solar-reflective



## DRAG SPECIALTIES

### GLOSS BLACK SEAT SPRINGS

- » Custom springs bolt to the bottom of most solo seats
- » Excellent when used on rigid frame motorcycles to absorb road shock, or on most other solo seats

PART #	DESCRIPTION
0820-0240	76,2 mm (3") black torsion spring (pr.)
0820-0241	76,2 mm (3") black seat spring (ea.)
0820-0242	50,8 mm (2") black seat spring (pr.)



### BRAKE CALIPER REBUILD KITS

- » High-quality replacement components
- » Complete kits include caliper pistons and all necessary seals for one brake caliper

PART #	DESCRIPTION
FOR 14-22 XL	
1702-0737	Rear caliper rebuild kit
1702-0738	Front caliper rebuild kit



CLICK / SCAN

## KOSO

### HG13 HEATED GRIPS

- » Designed with an integrated adjustable thumb switch
- » Easy to adjust the temperature level without removing hands from the handlebar
- » Five color LED display allows for quick indication of heat level
- » Detects low battery voltage

DESCRIPTION	PART #
For 28,5 mm (1 1/8") OD handlebars	0610-2280



### SPEED II LICENSE PLATE LIGHT

- » Used to illuminate a license plate
- » For 12V systems
- » Comes with pre-attached cables
- » Measures 45,6 mm L x 28,8 mm W x 11,8 mm H
- » Black finish
- » Sold each

DESCRIPTION	PART #
Speed II license plate light	2030-2347



### USB-C TYPE CHARGER

- » Equipped with a dust cover to shield the USB port from moisture and debris
- » 91 cm (36") long wire leads
- » Clamps for 22 mm (7/8") and (25,4 mm (1") OD handlebars or round tubing included
- » Sold each

DESCRIPTION	PART #
USB-C type charger	2120-1263



CLICK / SCAN

## D2 MULTI-FUNCTION METER

- » High-quality meter equipped with 8-color changeable LCD display
- » Features a tachometer/speedometer combination with a programmable shift light and includes gear indicator
- » Features vital reads such as engine temperature, battery voltage, tire pressure and a complete system of indicator lights to monitor vital signs on bike
- » Plugs directly into the stock harness and works directly with CANBUS system
- » Optional air pressure sensor for models equipped with air suspension is available separately
- » Display range: 0-199 km/h (0-124 mph)
- » Effective temperature range: -20°C-85°C (-4°F-185°F)
- » 12VDC battery voltage
- » Measures 88 mm L x 27 mm W x 66 mm H (3<sup>11</sup>/<sub>16</sub>" L x 1<sup>11</sup>/<sub>16</sub>" W x 2<sup>5</sup>/<sub>8</sub>" H)



PART #	DESCRIPTION
2210-0662	For 14-23 FLHT/FLHX/FLTRX/FLTRU and FL Trike models
2210-0660	For 04-13 FLHR/FXD/FLST/XL models
2210-0661	For 14-17 FXD/FLST, 18-22 FLHR and 18-20 XL models (except RH Sportster models)

## HD-03 FOUR-PIECE GAUGE KITS

- » Fit directly on OEM dash and connectors
- » Available with customizable eight-color LCD display, blue LED display or red LED display
- » Include multifunction speedometer, tachometer, odometer, volt meter, air suspension meter, gear indicator, trip meter, engine temperature, oil temperature and fuel level gauges
- » Indicator lights for oil, engine warning, warning light, high beam, fog light, voltage, anti-theft, cruise, ABS and turn signals

NOTE: On CVO models the run/stop switch must be in the ON position to change settings on the display.

PART #	DESCRIPTION
FOR 14-23 FLHX/FLHT/FLTRX/FLTRU/FLTRK/FLHTCUTG	
2210-0663	Eight-color LCD display
2210-0664	Blue LED display
2210-0665	Red LED display



## D48-HD TNT-05 SPEEDOMETER WITH ABE

- » Speed display range 0-160 km/h
- » Display unit 20 km/h (mph) on the large grid and 10 km/h (mph) on small grid
- » Overspeeding warning feature between 30-160 km/h once set speed value is reached or gone over warning light will illuminate.
- » Maximum speed record display range 0-160 km/h, can be manually returned to zero
- » Display unit for both overspeeding warning and speed record display is 1 km/h
- » Odometer setting range 0-99,999 km with setting unit 1 km
- » Trip meter A, B display range 0.0-9,999.9 km, can be manually returned to zero with a display unit of 0.1 km
- » Circumference setting range 300-2,500 mm with setting unit of 1 mm
- » Sensitive point-setting range 1-20 P with setting unit 1 P
- » Fuel meter display range 10 levels (100%) with display unit 1 levels (10%)
- » Fuel gauge setting range 100 O, 250 O, 270 O, 390 O, Resistance (O) 510 O, 1200 O, Sw, Custom (learning mode) and OFF
- » Low Fuel warning Setting range 0-30% once set value is reached or below, warning light will illuminate
- » Setting unit 10%
- » Clock Setting range 00:00-23:59 (24H) or 01:00-12:59 (12H)
- » Voltmeter Display range DC 8.0-18.0 V with Display unit DC 0.1V
- » Low voltage warning Setting range DC 8.0-13.0 V once set value is reached or below warning light will illuminate, with Setting unit 0.1 V
- » Backlight brightness Setting range 1/5(Darkest)-5/5(Brightest) with setting unit 1/5 (20%)
- » Backlight color range white, red, orange, yellow, green, blue, light blue, purple loop switch
- » Temperature units °C (Celsius) and °F (Fahrenheit)
- » Speed units km/h and mph
- » Operating voltage DC 12V
- » Operating temperatures -10- +60°C and Storage temperatures -20- +80 °C
- » Meter diameter is 56 mm
- » Bracket and hardware for custom mounting included

DESCRIPTION	PART #
D48-HD TNT-05 Speedometer	2211-0203



## KOSO

### DH-80HD TNT-05 SPEEDOMETER WITH REV COUNTER WITH ABE

- » Speedometer and rev counter with multiple functions
- » Speedometer display range 0-360 km/h, (0-225 mph) switchable with display unit 1 km/h (mph)
- » Exceeding the maximum speed limit warning setting range 30-360 km/h, (19~225 mph). When previously set value is reached/exceeded, warning light flashes. With setting unit 1 km/h (mph)
- » Odometer display range 0-999.999 km (miles) with display unit 1 km (mile)
- » Trip meter A/B display indication 0-999.999 km (miles) with display unit 0.1 km (miles)
- » Oil change interval setting range Off / 500-16,000 km (300-10,000 miles) with setting unit of 100 km (miles)
- » Fuel gauge display range 100, 250, 270, 510, 1200, SW; user with display unit of 6 bars that indicate how full the tank is
- » Tire percentage setting range 50-200% with adjustment unit of 1%
- » Gear indicator display range (no gear selected indication), N, 1, 2, 3, 4, 5, 6
- » Gear indicates a shift recommendation as soon as a speed range has been exceeded.
- » Shift flash with setting range of 1,000-8,000 RPM when the previously set range is exceeded the shift flash appears
- » Digital tachometer display range 0-8,000 RPM with display unit of 100 rpm
- » Thermometer with display unit of °C or °F (switchable).
- » Water thermometer display range -30-255° C (-22~437° F) with display unit of 1° C (° F)
- » Voltmeter display range 8-18 volts
- » Clock setting range 12 / 24 hour format
- » Indications on the dial include warning light 1, Warning light 2, speed flash, idle (neutral), indicator light, high beam and engine warning light
- » Type of warnings Light (L), slow flash (S) and Flash (F)
- » Low voltage indicator setting range 8.0-18.0 V
- » Background brightness setting range 1-5 (darkest)
  - 5-5 (brightest) with setting unit of each level (1-5) equal to 20% of full illumination
- » Seven selectable background colors, purple, red, yellow, green, blue, light blue and white
- » Voltage DC 12V
- » Measures 94.7 mm x 94.7 mm x 69.2 mm



DESCRIPTION	PART #
D80-HD TNT-05 Speedometer	2211-0205

## LOCTITE®

### 3090 INSTANT ADHESIVE

- » Two-component, fast fixturing, gap-filling adhesive designed for assembling parts with varying bond gaps up to 5 mm
- » Also suited to bonding porous materials such as wood, paper, leather and fabric
- » The gel consistency prevents adhesive flow even on vertical surfaces
- » Precise and clean application with the syringe
- » Perfect for all quick repairs of broken plastic parts and all types of emergency repair
- » Excellent bonding of all common substrates (metals, most plastics, rubber, etc.)
- » 11 g tube

DESCRIPTION	PART #
Loctite® 3090	3711-0050



### 454 INSTANT ADHESIVE

- » General purpose, non-drip gel, instant adhesive that is ideal for vertical surfaces and overhead applications
- » Instant adhesive designed for the assembly of difficult-to-bond materials which require uniform stress distribution and high tensile and/or shear strength
- » Can also be used for bonding porous materials such as wood, paper, leather, and fabric
- » Ideal for overhead application and vertical faces
- » Non-wicking and well-suited for use with porous materials
- » Bonds similar or dissimilar substrate combinations of wood, metals, ceramics, most plastics
- » Perfect for all quick repairs
- » 20 g tube

DESCRIPTION	PART #
Loctite® 454	3711-0051



# MAKE YOUR MARK.



Road Warrior Fairing and Hand Guards on  
@vongasphalt's Dyna Low Rider S.

MADE IN MEMPHIS | #ShadyMark

**PARTS**  
**EUROPE**

**Memphis**  
**SHADES**  
MOTORCYCLE FAIRINGS & WINDSHIELDS

[memphisshades.com](http://memphisshades.com)

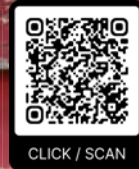


CLICK / SCAN

SHOWN: ROAD WARRIOR FAIRING 2330-0165, TRIGGER-LOCK MOUNTING KIT 2320-0194,  
HEADLIGHT EXTENSION BLOCK #2001-1362, 11" DARK BLACK SMOKE WINDSHIELD 2350-0447,  
AND HAND GUARDS 0635-1477

# OldBook™

2024-2025



CLICK / SCAN

**COVER BIKE**

## **1999 H-D FLSTF FATBOY**

**CUSTOMIZED BY EDZ MOTORCYCLE  
SERVICE & REPAIR**

**ARLEN NESS:** KO Raked Triple Trees, Mini Oval Mirrors

**BASSANI:** Road Rage 2-1 Short Exhaust System

**BELT DRIVES LTD:** 3" Belt Drive System

**CUSTOM DYNAMICS:** All-in-One LED License  
Plate Frame, 7" ProBeam Headlamp

**DP BRAKES:** Brake Rotors

**DRAG SPECIALTIES:**

Swingarm Pivot Bolt Covers,  
7" Headlight Nacelle Kit,  
Fork Slider Covers, FatBob  
Style Flat-Side Fuel Tanks,  
Gas Caps, Split Skull  
Points Cover, Rear  
Pulley, Rear Drive  
Belt, Coil Cover, Horn  
Cover, LED Taillight/  
License Plate Mount,  
Grenade Grips

**DRAG SPECIALTIES**

**SEATS:** Large Spring Solo  
Seat, Hinged Mounting Bracket

**LEGEND SUSPENSIONS:**  
AXEO 41mm Front Suspension Kit

**JOKER MACHINE:** Upper Dash Cover, Lower Dash Panel,  
Serrated Shifter Peg, Driver Floorboards, Foot pegs & Brake Pedal Cover

**METZELER:** ME 888 Marathon Ultra Front & Rear Tires

**PERFORMANCE MACHINE:** Handlebar Control Kit,  
4-Piston Front & Rear Brake Calipers

**PROGRESSIVE SUSPENSION:** 422 Series Shocks  
w/Remote Adjustable Preload

**RC COMPONENTS:** Nitro Front & Rear Wheel

**S&S CYCLE:** Super E Std. Bore Carburetor, Manifold Conversion Kit for 80" Evo,  
Super Stock Stealth Air Cleaner Kit, Stealth Tribute Air Cleaner Cover

Check out more details on this bike at various rallies and events throughout the year; or go to [dragspecialties.com/bike-builds](https://dragspecialties.com/bike-builds) to view the complete parts list.

**PARTS  
EUROPE**

[PARTSEUROPE.EU](https://PARTSEUROPE.EU)

FROM OUR GARAGE TO YOURS  
**DRAG  
Specialties**

[DRAGSPECIALTIES.EU](https://DRAGSPECIALTIES.EU)