

## FOAM AIR FILTER

- Made of flame-laminated dual-layer foam bonded with the highest quality glue to stand up to the roughest and toughest of any style of riding or terrain
- These filters, used with No Toil foam filter treatment, provide the best air filtration system in the world
- Fully open-cell structure for highest airflow and maximum protection
- Heavy-duty glue provides protection from all solvents
- Wide soft sealing ring for extra protection
- Flexible seams prevent cracking
- Original OEM sizes
- Made in the U.S.A.



FITS MODEL	PART #
<b>GAS GAS</b>	
EC 200 / 250 / 300 14-19, XC 200 / 250 / 300 14-19, GP 250 / 300 14-20	<b>1011-4381</b>
<b>HONDA</b>	
CRF 110 19-20	<b>1011-4382</b>
CRF 250F 19-20	<b>1011-4383</b>
CRF 450X 19-20	<b>1011-4384</b>
<b>HUSQVARNA</b>	
TC 85 18-20	<b>1011-4380</b>

FITS MODEL	PART #
<b>KAWASAKI</b>	
KX 250F 20, KX 450X 19	<b>1011-4399</b>
<b>SHERCO</b>	
125 / 250 / 300 SE-R 14-19	<b>1011-4385</b>
250 / 300 / 450 / 500 SEF-R 12-19	<b>1011-4386</b>
<b>SUZUKI</b>	
RMZ 250 19-20, RMZ 450 18-20	<b>1011-4398</b>
<b>YAMAHA</b>	
Wolverine X2 / X4 18-20	<b>1011-4425</b>

## PRE-OILED AIR FILTER

- Clean easily with No Toil's biodegradable foam filter cleaner (sold separately)
- Superior foam strength for long life (40+ non-toxic washes)
- Better airflow for greater horsepower
- Pre-oiled and ready to go



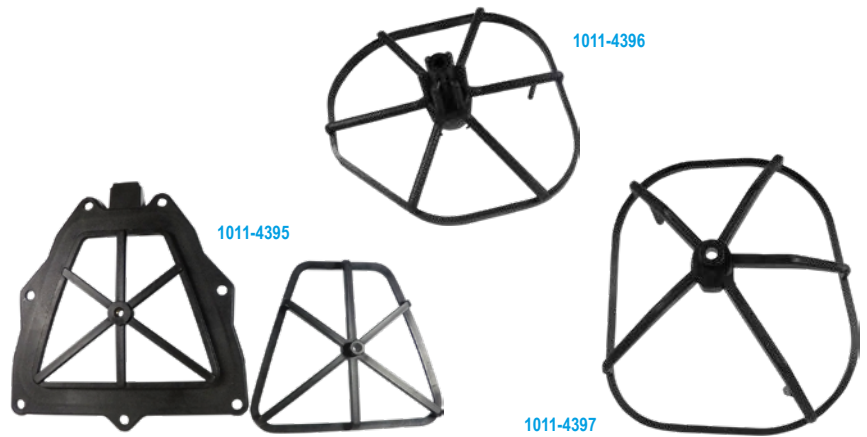
FITS MODEL	PART #
<b>HONDA</b>	
CRF 250F 19-20	<b>1011-4387</b>
CRF 450X 19-20	<b>1011-4388</b>
<b>YAMAHA</b>	
Wolverine X2 / X4 18-20	<b>1011-4426</b>

## EXTREME CONDITION AIR FILTER

- Made of flame-laminated dual-layer foam bonded with the highest quality glue to stand up to the roughest and toughest of riding styles and terrains
- For use in riding conditions that are so extremely dusty or sandy that added protection is needed
- Slight reduction in airflow possible, however dirt-stopping capabilities greatly increased
- Use with No-Toil filter treatment for superior protection and ease of cleaning
- Heavy-duty glue and soft seams
- Wide sealing ring



FITS MODEL	PART #
<b>KAWASAKI</b>	
KX 250F 20, KX 450X 19	<b>1011-4400</b>



### AIR FILTER CAGE REPLACEMENT

- Replacement cage for OEM style cage
- Sold as each

FITS MODEL	PART #
<b>KAWASAKI</b>	
KX 250F 20, KX 450 19-20	<b>1011-4397</b>
<b>SUZUKI</b>	
RMZ 250 19-20, RMZ 450 18-20	<b>1011-4396</b>

FITS MODEL	PART #
<b>YAMAHA</b>	
YZ 250F 19-20, YZ 250FX 20, WR 250F 20, WR 450F 20, YZ 450F 18-20, YZ 450FX 19-20	<b>1011-4395</b>

### AIR BOX COVER & CLEANER

- Cleans air box inside and out
- Provides excellent protection from water with exhaust plug while the air box cleaner makes sure to clean any and all grease, grime and gunk
- Sold as a kit

FITS MODEL	PART #
<b>HUSQVARNA</b>	
TC 85 18-20	<b>1050-0405</b>

FITS MODEL	PART #
<b>KTM</b>	
85 SX 18-20	<b>1050-0405</b>

